



# LED HIGH POWER

## Product Data Sheet

### LTPL-C034UVH385

Created Date: 04 / 15 / 2015  
Revision: 4: 09 / 16 / 2015

# LED HIGH POWER LTPL-C034UVH385 Datasheet

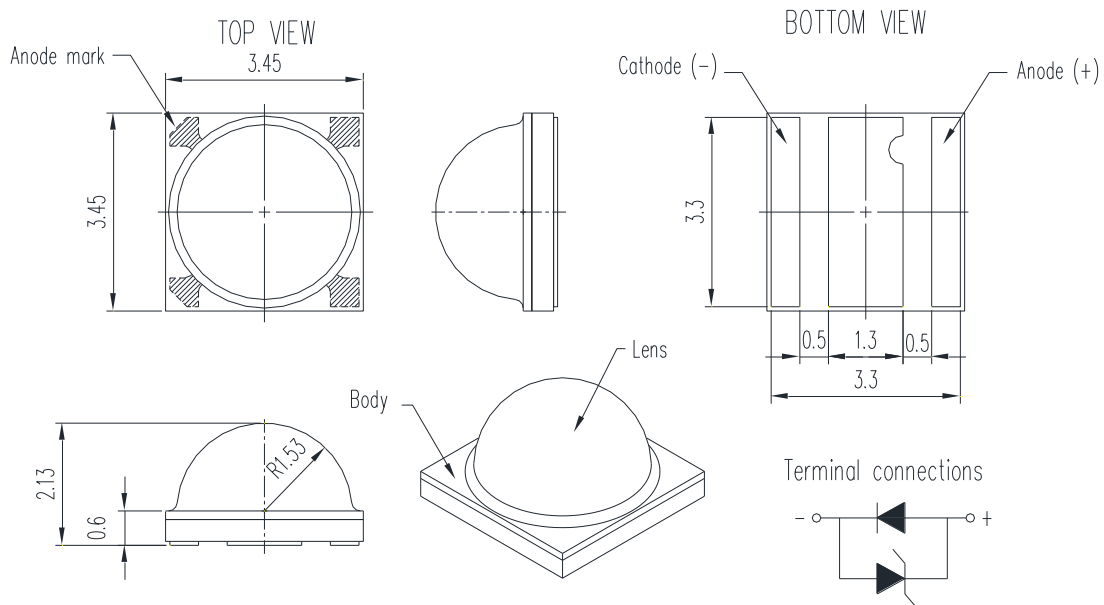
## 1. Description

The LiteON C03 UV Product series is a revolutionary, energy efficient light source for UV curing and common UV application, combining the lifetime and reliability advantages of Light Emitting Diodes with the brightness of conventional light source. It gives you design freedom, and creating a new opportunities for solid state UV light source to displace conventional UV technologies

### Features

- I.C. compatible
- RoHS compliant and Pb free
- Lower operating costs
- Reduced maintenance costs

## 2. Outline Dimensions



### Notes :

1. All dimensions are in millimeters and dimension tolerances are  $\pm 0.2\text{mm}$  except lens height and ceramic length / width dimension tolerance are  $\pm 0.1\text{mm}$
2. Thermal pad of the device is electrically neutral from the anode and cathode pads

**LED HIGH POWER  
LTPL-C034UVH385 Datasheet**

**3. Absolute Maximum Ratings at Ta=25°C**

Parameter	Symbol	Rating	Unit
DC Forward Current	<i>I<sub>f</sub></i>	700	mA
Power Consumption	<i>P<sub>o</sub></i>	3.08	W
Operating Temp Range	<i>T<sub>opr</sub></i>	-40 ~ +85	°C
Storage Temp Range	<i>T<sub>stg</sub></i>	-55 ~ +100	°C
Junction Temperature	<i>T<sub>j</sub></i>	90	°C

**Notes:**

Operating the LED under reverse bias condition long time might result in damage or failure of the component.

## LED HIGH POWER LTPL-C034UVH385 Datasheet

### 4. Electro-Optical Characteristics at Ta=25°C

Parameter	Symbol	Values		Test Condition	Unit
Forward Voltage	Vf	Min.	2.8	If = 500mA	V
		Typ.	3.7		
		Max.	4.4		
Radiant Flux	$\Phi_e$	Min.	775	If = 500mA	mW
		Typ.	900		
		Max	1135		
Peak Wavelength	Wp	Min.	380	If = 500mA	nm
		Max	390		
Viewing Angle	$2\theta_{1/2}$	Typ.	130	If = 500mA	°
Thermal Resistance	Rthjc	Typ	4.1	---	°C/W

**Notes:**

1. Radiant flux ( $\Phi_e$ ) is the total Radiant flux output as measured with an integrating sphere.
2. Thermal resistance (Junction to case) measurement tolerance is  $\pm 10\%$

# LED HIGH POWER LTPL-C034UVH385 Datasheet

## 5. Bin Code List

Vf : Forward Voltage Spec. Table		
Vf Bin	Vf (V) @ If = 500mA	
	Min.	Max.
V0	2.8	3.2
V1	3.2	3.6
V2	3.6	4.0
V3	4.0	4.4

Forward Voltage Tolerance: +/- 0.1 V

$\Phi_e$ : Radiant Flux Spec. Table		
$\Phi_e$ Bin	$\Phi_e$ (mW) @ If = 500mA	
	Min.	Max.
KL	775	835
MN	835	900
NO	900	975
OP	975	1050
PR	1050	1135

Radiant Flux Tolerance: +/- 7%

Wp: Peak Wavelength Spec table		
Wp Bin	Wp (nm) @ If = 500mA	
	Min.	Max.
P3R	380	385
P3S	385	400

Peak Wavelength Tolerance: +/- 3nm

Notes:

1. Bin classification code is marked on each packing bag.
2. If there is any special or limited bin request, please contact with LiteOn's sales

**LED HIGH POWER  
LTPL-C034UVH385 Datasheet**

**6. Typical Electrical / Optical Characteristics Curves**

(25°C Ambient Temperature Unless Otherwise Noted)

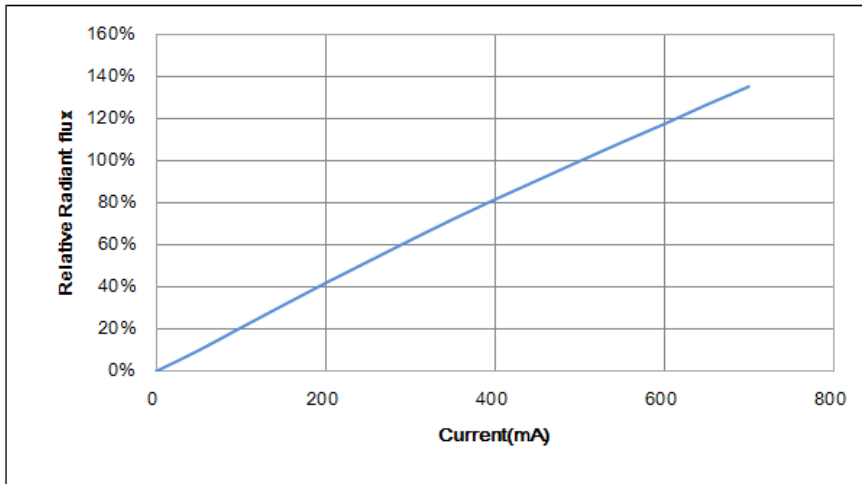


Fig 1. Relative Radiant Flux vs. Forward Current

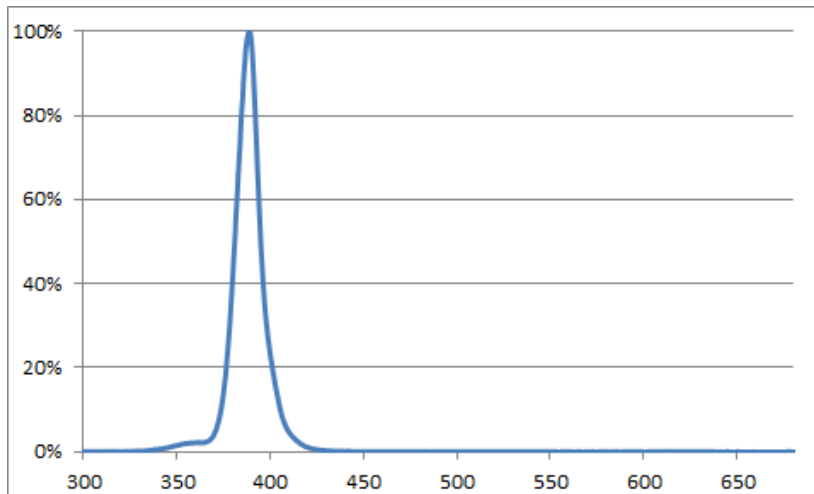


Fig 2. Relative Spectral Distribution

**LED HIGH POWER  
LTPL-C034UVH385 Datasheet**

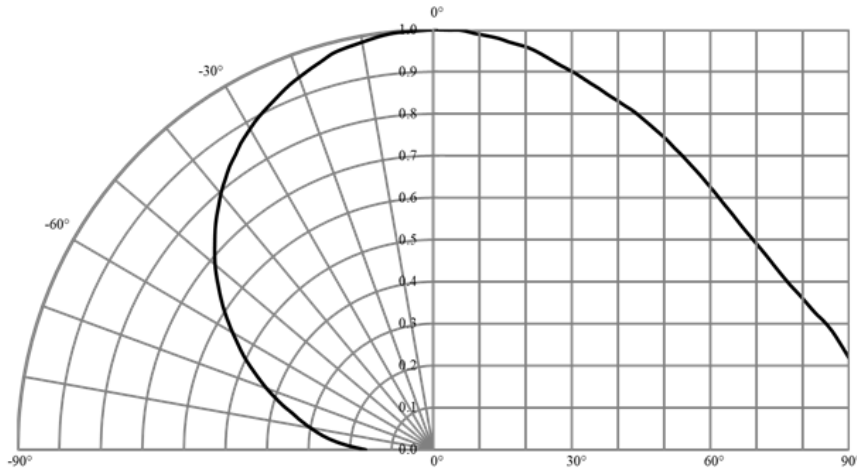


Fig 3. Radiation Characteristics

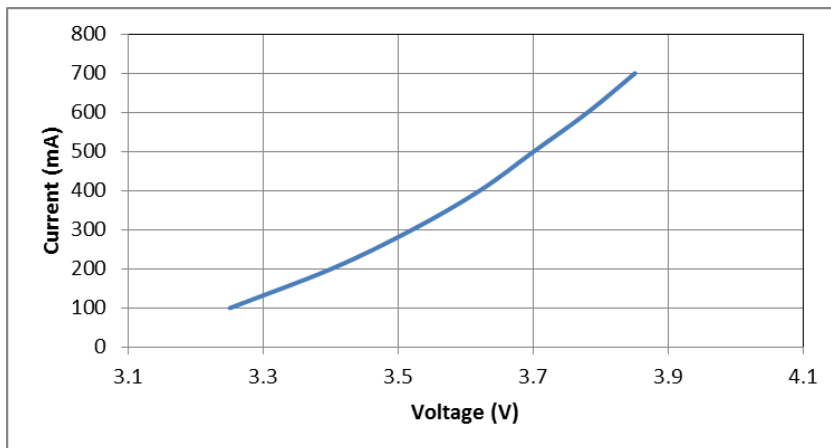


Fig 4. Forward Current vs. Forward Voltage

**LED HIGH POWER  
LTPL-C034UVH385 Datasheet**

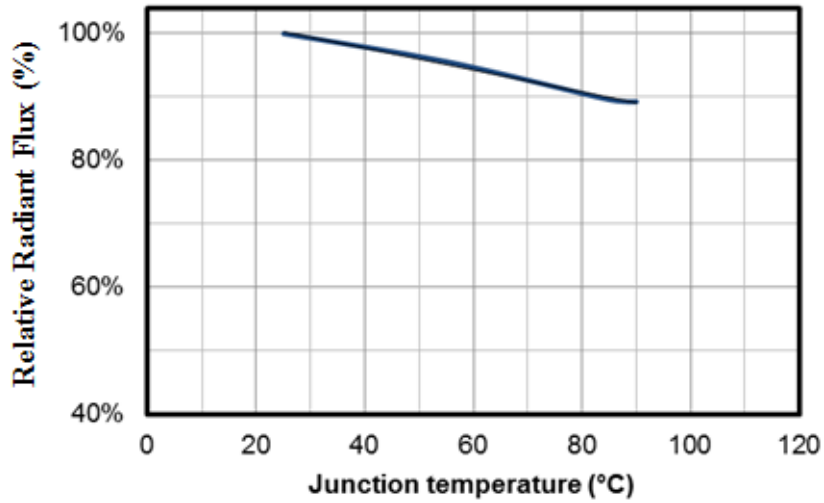


Fig.5 Relative Radiant Flux vs Junction Temperature

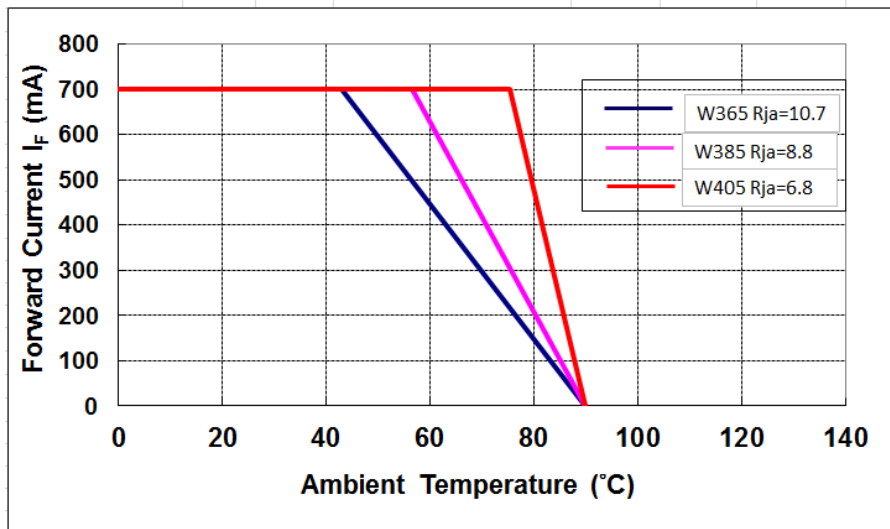


Fig 6. Forward Current Degrading Curve of LTPL-C034UVH Series



## LED HIGH POWER LTPL-C034UVH385 Datasheet

### 7. Reliability Test Plan

No	Test item	Condition	Duration	Number of Failed
1	Low Temperature Operating Life (LTOL)	$T_C = -10^{\circ}\text{C}$ , $I_f = 500\text{mA}$	1000 hrs	0/10
2	Room Temperature Operating Life (RTOL)	$25^{\circ}\text{C}$ , $I_f = 700\text{mA}$	1000 hrs	0/10
3	High Temperature Operating Life (HTOL)	$T_C = 85^{\circ}\text{C}$ , $I_f = 60\text{mA}$	1000 hrs	0/10
4	Wet High Temperature Operating Life (WHTOL)	$60^{\circ}\text{C}/90\%\text{RH}$ , $I_f = 350\text{mA}$	500 hrs	0/10
5	Non-Operating Thermal Shock (TMSK)	$-40^{\circ}\text{C}$ to $125^{\circ}\text{C}$ 30 minutes dwell, <10 seconds transfer	100 cycles	0/10
6	High temperature storage	$T_A = 100^{\circ}\text{C}$	1000 hrs	0/10

#### Notes:

1. Operating life test are mounted on thermal heat sink
2. Storage item are only component, not put on heat sink.

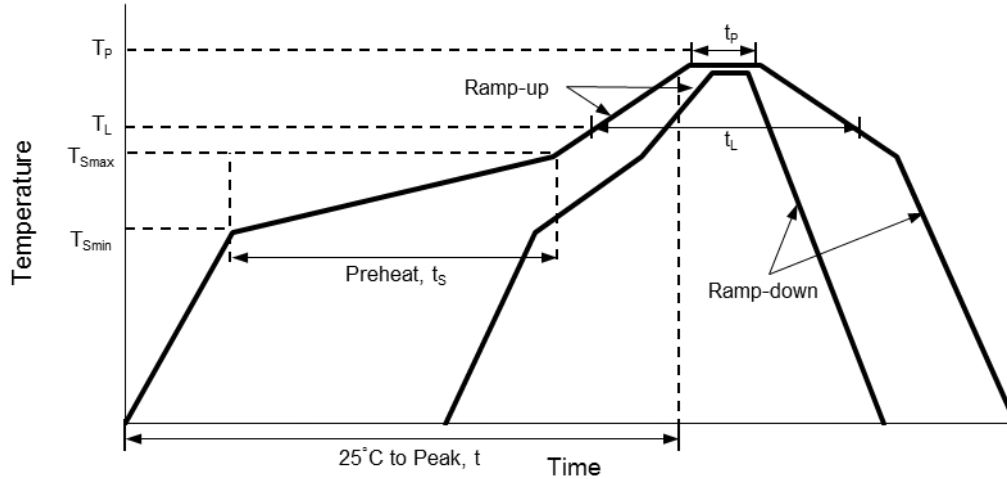
Criteria for Judging the Damage

Item	Symbol	Test Condition	Criteria for Judgment	
			Min.	Max.
Forward Voltage	$V_f$	$I_f = \text{Typical Current}$	-10%	+10%
Radiant Flux	$\Phi_e$	$I_f = \text{Typical Current}$	-15%	+15%

# LED HIGH POWER LTPL-C034UVH385 Datasheet

## 8. User Guide

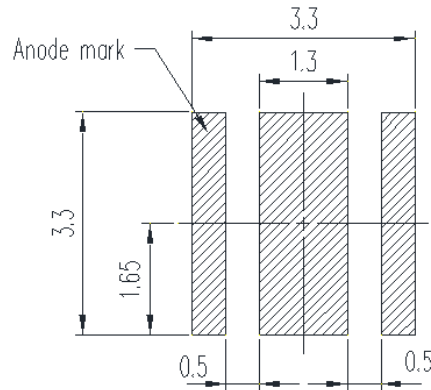
### Suggested Reflow Soldering Characteristics



Profile Feature	Lead Free Assembly
Average Ramp-Up Rate ( $T_{Smax}$ to $T_P$ )	3°C / second max
Preheat Temperature Min ( $T_{Smin}$ )	150°C
Preheat Temperature Max ( $T_{Smax}$ )	200°C
Preheat Time ( $t_{Smin}$ to $t_{Smax}$ )	60 – 180 seconds
Time Maintained Above Temperature ( $T_L$ )	217°C
Time Maintained Above Time ( $t_L$ )	60 – 150 seconds
Peak / Classification Temperature ( $T_P$ )	255°C
Time Within 5°C of Actual Peak Temperature ( $t_p$ )	5 seconds
Ramp – Down Rate	6°C / second max
Time 25°C to Peak Temperature	8 minutes max

## LED HIGH POWER LTPL-C034UVH385 Datasheet

### Recommend Printed Circuit Board Attachment Pad

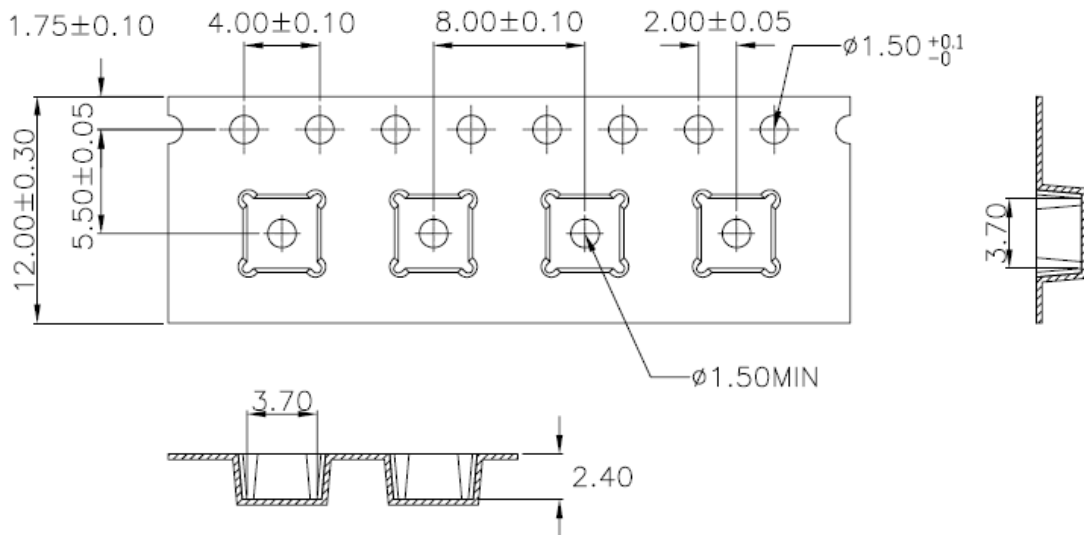


#### Notes:

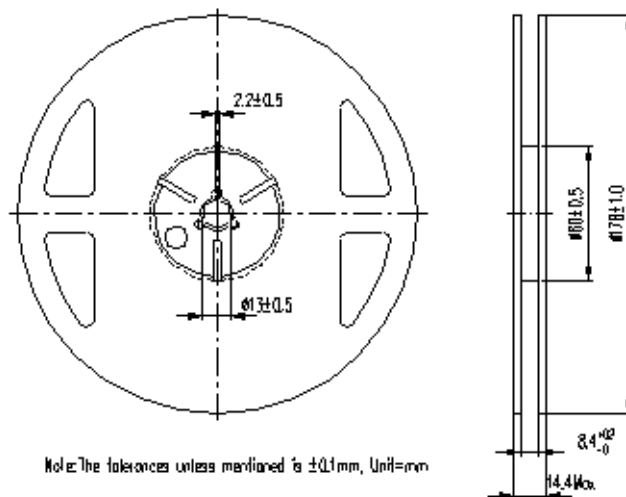
1. The LEDs can be soldered using the reflow soldering or hand soldering method. The recommended hand soldering condition is 300°C max. and 2secs max. only once, and the operation of reflow soldering is only up to three times at maximum.
2. All temperatures refer to topside of the package, measured on the package body surface.
3. The soldering profile could be further referred to different soldering grease material characteristic. The grease vendor will provide this information.
4. A rapid-rate process is not recommended for the LEDs cooling down from the peak temperature.
5. Although the recommended reflow conditions are specified above, the reflow or hand soldering condition at the lowest possible temperature is desirable for the LEDs.
6. LiteOn cannot make a guarantee on the LEDs which have been already assembled using the dip soldering method.

## LED HIGH POWER LTPL-C034UVH385 Datasheet

### Package Dimensions of Tape



### Package Dimensions of Reel



#### Notes:

Note: The tolerances unless mentioned to  $\pm 0.1 \text{ mm}$ , Unit=mm

1. Empty component pockets sealed with top cover tape.
2. 7 inch reel-maximum 500 pieces per reel.
3. Minimum packing quantity is 250 pieces for remainders.
4. The maximum number of consecutive missing lamps is two.
5. In accordance with EIA-481-1-B specifications.

# LED HIGH POWER LTPL-C034UVH385 Datasheet

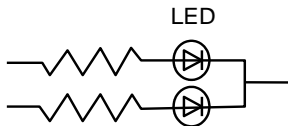
## 9. Cautions

### Cleaning

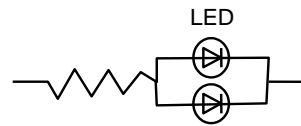
Use alcohol-based cleaning solvents such as isopropyl alcohol to clean the LED if necessary.  
Do not use unspecified chemical liquid to clean LED, it could harm the package.

### Drive Method

An LED is a current-operated device. In order to ensure intensity uniformity on multiple LEDs connected in parallel in an application, it is recommended that a current limiting resistor be incorporated in the drive circuit, in series with each LED as shown in Circuit below.



Circuit model A



Circuit model B

(A) Recommended circuit.

(B) The brightness of each LED might appear different due to the differences in the I-V characteristics of those LEDs.

(C) This LED should be used under forward current, particularly not used under continuous reverse current to avoid the damage to LED.

The electrode pads are plated with gold, but it is still not recommended to the use under any of the following conditions, please confirm the performance and reliability are well enough if you use it under any of the following conditions

- Do not use sulfur-containing materials in commercial products including the materials such as seals and adhesives that may contain sulfur.
- Do not put this product in a place with a lot of moisture (over 85% relative humidity), dew condensation, briny air, and corrosive gas (Cl, H<sub>2</sub>S, NH<sub>3</sub>, SO<sub>2</sub>, NO<sub>x</sub>, etc.).

### Manual Handling Remark

The LED should only be picked up by making contact with the sides of the LED body. It should not put any pressure on the lens either by finger or any hand tool. Do not puncture or push the lens.

## LED HIGH POWER LTPL-C034UVH385 Datasheet

### ESD (Electrostatic Discharge)

Static Electricity or power surge will damage the LED. Suggestions to prevent ESD damage:

- Use a conductive wrist band or anti-electrostatic glove when handling these LEDs.
- All devices, equipment, and machinery must be properly grounded.
- Work tables, storage racks, etc. should be properly grounded.
- Use ion blower to neutralize the static charge which might have built up on surface of the LED's plastic lens as a result of friction between LEDs during storage and handling.

ESD-damaged LEDs will exhibit abnormal characteristics such as high reverse leakage current, low forward voltage, or "no light up" at low currents. To verify for ESD damage, check for "light up" and  $V_F$  of the suspect LEDs at low currents. The  $V_F$  of "good" LEDs should be  $>2.0V@0.5mA$ .

#### Training and Certification

1. Working area is ESD-certified.
2. Training records and re-certification dates monitored.

#### Static-Safe Workstation & Work Areas

1. Static-safe working stations or work-areas have ESD signs.
2. All surfaces and objects at all static-safe workstation and within 1 ft measure less than 100V.
3. All ionizer activated, positioned towards the units.
4. Each work surface mats grounding is good.

#### Personnel Grounding

1. Every person (including visitors) handling ESD sensitive (ESDS) items wear wrist strap, heel strap or conductive shoes with conductive flooring.
2. If conductive footwear used, conductive flooring also present.
3. Garments, hairs or anything closer than 1 ft to ESD items measure less than 100V.
4. The wrist strap or heel strap/conductive shoes are checked daily and result recorded.
5. All wrist strap or heel strap checkers calibration up to date.

#### Device Handling

1. Each ESDS items identified by EIA-471 labels on item or packaging..
2. No static charge generators (e.g. plastics) inside shielding containers with ESDS items.
3. All flexible conductive and dissipative package materials are inspected before reuse or recycles

## LED HIGH POWER LTPL-C034UVH385 Datasheet

### Storage

This product is qualified as Moisture sensitive Level 3 per JEDEC J-STD-020 Precaution when handling this moisture sensitive product is important to ensure the reliability of the product.

The package is sealed:

The LEDs should be stored at 30°C or less and 85%RH or less. And the LEDs are limited to use within one year, while the LEDs is packed in moisture-proof package with the desiccants inside.

The package is opened:

The LEDs should be stored at 30°C or less and 60%RH or less. The LEDs are limited to solder process within 168hrs. If the Humidity Indicator shows the pink color in 10% even higher or exceed the storage limiting time since opened, we recommended to baking LEDs at 60°C at least 24hours before solder. To seal the remainder LEDs return to package, it's recommended to be with workable desiccants in original package.

### Safety

**Do NOT** directly look at the UV light from LED or optical instrument because it is harmful to human eyes. And it is recommended to use UV goggles protective glasses for avoiding eye damage.

**LED HIGH POWER  
LTPL-C034UVH385 Datasheet**

**10. Datasheet Version:**

Version	Date	Owner	Change Item
3.1	2015/4/15	Willy Chiu	Initial specification
3.3	2015/7/17	Willy Chiu	Create new P/N of LTPL-C034UVH385
3.4	2015/7/23	Willy Chiu	Description of pin definition Update Vf of LTPL-C034UVH365
4	2015/9/16	ChunChieh Chang David Kao	Change Format to New Version, Separate C034UVHXXX Series DataSheet into separated unit version.  Spec change: 1. Add Forward Voltage (Vf) Bin: V0 (2.8~3.2 V) (page 3,4) 2. Add Radiant Flux (Φe) Bin: KL (775~835 mW) (page 3,4) 3. Add Peak Wavelength (Wp) Bin:P3R (380~385nm) P3S (385~390nm) (page 3,4) 4. Add measurement tolerance definition: Forward Voltage (Vf) tolerance: ± 0.1V Radiant Flux (Φe) tolerance: ± 7% Peak Wavelength (Wp) tolerance: +/-3nm (page 4) 5. Packing quantity: Maximum 500 pieces per reel (page 11) 6. Revise Non-Operating Thermal Shock Duration to 100 cycles (page 8)  Others: 6. Add storage condition (page 14) 7. Add Revision history (page 15)



**LED HIGH POWER  
LTPL-C034UVH385 Datasheet**

**LiteOn:**

**Customer:**

**ISSUED BY**

*Chun chieh*

---

**CONFIRMED BY**

---

**CHECKED BY**

---

**CHECKED BY**

---

**APPROVED BY**

---

**APPROVED BY**

---