



Through Hole Lamp Product Data Sheet LTL17KGH5D-012A

Spec No. :DS20-2009-0259
Effective Date: 05/27/2021
Revision: B

LITE-ON DCC

RELEASE

BNS-OD-FC001/A4

Through Hole Lamp
LTL17KGH5D-012A

Through Hole Lamp

LTL17KGH5D-012A

<u>Rev</u>	<u>Description</u>	<u>By</u>	<u>Date</u>
Above data for PD and Customer tracking only			
-	NPPR Receive and Upload on OPNC	ORMJITM	01/08/2010
A	Update DS	Jeromy	06/30/2015
B	Update soldering distance for 1.6mm	Curry	05/14/2021

Through Hole Lamp LTL17KGH5D-012A

1. Description

Through hole LEDs are offered in a variety of packages such as 3mm, 4mm, 5mm, rectangular, and cylinder which are suitable for all applications requiring status indication. Several intensity and viewing angle choices are available in each color for design flexibility.

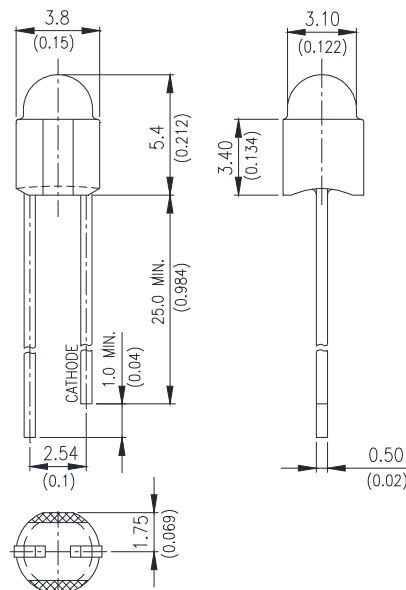
1.1. Features

- Low power consumption & High efficiency
- High luminous intensity output
- Lead (Pb) free product - RoHS Compliant
- Popular T-1 diameter
- Versatile mounting on P.C. Board or panel
- I.C. Compatible/low current requirement
- AllInGaP Green Lamp & Green Color Diffused Lens

1.2. Applications

- Communication
- Computer
- Consumer
- Home appliance
- Industrial

2. Outline Dimensions



Notes :

1. All dimensions are in millimeters (inches).
2. Tolerance is $\pm 0.25\text{mm}$ (.010") unless otherwise noted.
3. Protruded resin under flange is 1.0mm (.04") max.
4. Lead spacing is measured where the leads emerge from the package.
5. Specifications are subject to change without notice.

Through Hole Lamp LTL17KGH5D-012A

3. Absolute Maximum Ratings at TA=25°C

Parameter	Maximum Rating	Unit
Power Dissipation	75	mW
Peak Forward Current (Duty Cycle \leq 1/10, Pulse Width \leq 10 μ s)	60	mA
DC Forward Current	30	mA
Derating Linear From 50°C	0.4	mA/°C
Operating Temperature Range	-40°C to + 100°C	
Storage Temperature Range	-55°C to + 100°C	
Lead Soldering Temperature [1.6mm(.063") From Body]	260°C for 5 Seconds Max	

4. Electrical / Optical Characteristics at TA=25°C

Parameter	Symbol	Min.	Typ.	Max.	Unit	Test Condition
Luminous Intensity	I_v	110	180	520	mcd	$I_F = 20\text{mA}$ Note 1
Viewing Angle	$2\theta_{1/2}$		50		deg	Note 2 (Fig.6)
Peak Emission Wavelength	λ_P		574		nm	Measurement @Peak (Fig.1)
Dominant Wavelength	λ_d	566	571	578	nm	Note 4
Spectral Line Half-Width	$\Delta\lambda$		11		nm	
Forward Voltage	V_F		2.1	2.4	V	$I_F = 20\text{mA}$
Reverse Current	I_R			100	μA	$V_R = 5\text{V}$, Note 6

NOTE:

- Luminous intensity is measured with a light sensor and filter combination that approximates the CIE eye-response curve.
- $\theta_{1/2}$ is the off-axis angle at which the luminous intensity is half the axial luminous intensity.
- I_v classification code is marked on each packing bag.
- The dominant wavelength, λ_d is derived from the CIE chromaticity diagram and represents the single wavelength which defines the color of the device.
- I_v guarantee must be included with $\pm 15\%$ testing tolerance.
- Reverse voltage (V_R) condition is applied for I_R test only. The device is not designed for reverse operation.

Through Hole Lamp LTL17KGH5D-012A

5. Typical Electrical / Optical Characteristics Curves

(25°C Ambient Temperature Unless Otherwise Noted)

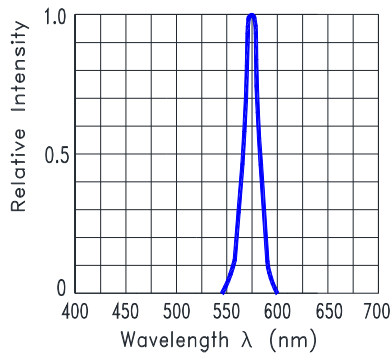


Fig.1 Relative Intensity VS. Wavelength

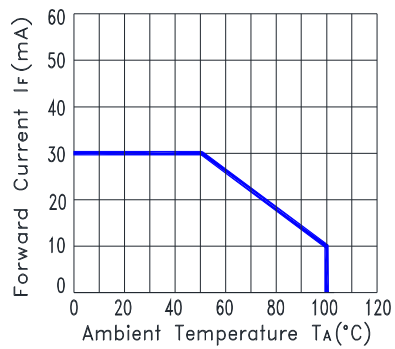


Fig.2 Forward Current Derating Curve

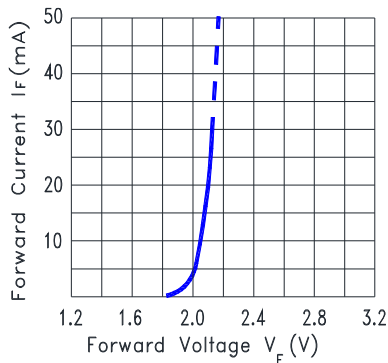


Fig.3 Forward Current vs. Forward Voltage

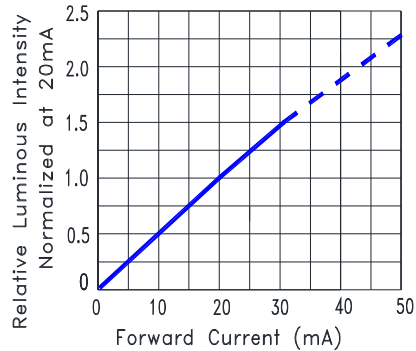


Fig.4 Relative Luminous Intensity vs. Forward Current

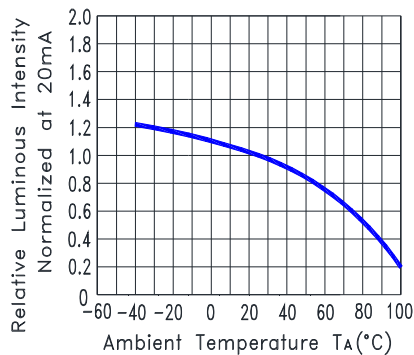


Fig.5 Relative Luminous Intensity vs. Ambient Temperature

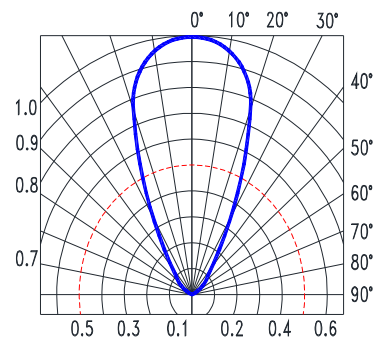


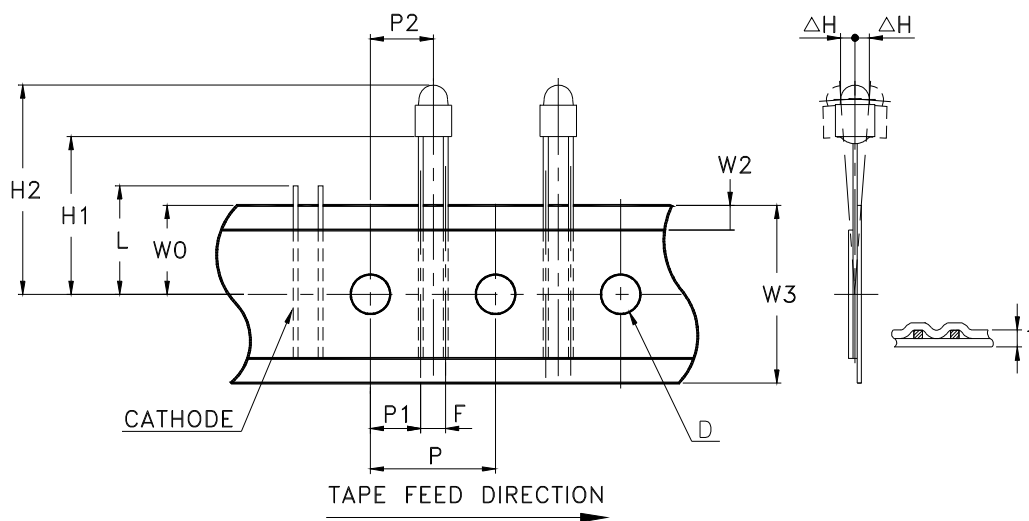
Fig.6 Spatial Distribution

Through Hole Lamp LTL17KGH5D-012A

6. Taping Features

- * Compatible with radial lead automatic insertion equipment.
- * Most radial lead plastic lead lamps available packaged in tape and folding.
- * 2.54mm (0.1") straight lead spacing available.
- * Folding packaging simplifies handling and testing.
- * Reel packaging is available by removing suffix "A" on option.

Package Dimensions

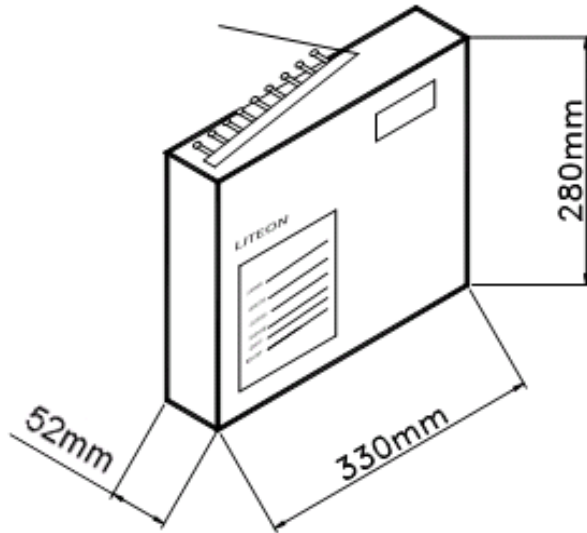


Item	Symbol	Specification			
		Minimum		Maximum	
		mm	inch	mm	inch
Tape Feed Hole Diameter	D	3.8	0.149	4.2	0.165
Component Lead Pitch	F	2.3	0.091	3.0	0.118
Front to Rear Deflection	ΔH	--	--	2.0	0.078
Feed Hole to Bottom of Component	H1	21.5	0.846	22.5	0.886
Feed Hole to Overall Component Height	H2	26.6	1.047	28.2	1.110
Lead Length After Component Height	L	W0		11.0	0.433
Feed Hole Pitch	P	12.4	0.488	13.0	0.511
Lead Location	P1	4.4	0.173	5.8	0.228
Center of Component Location	P2	5.05	0.198	7.65	0.301
Total Tape Thickness	T	--	--	0.90	0.035
Feed Hole Location	W0	8.5	0.334	9.75	0.384
Adhesive Tape Position	W2	0	0	3.0	0.118
Tape Width	W3	17.5	0.689	19.0	0.748

Through Hole Lamp
LTL17KGH5D-012A

7. Packing Spec.

Total 3,000pcs per inner carton

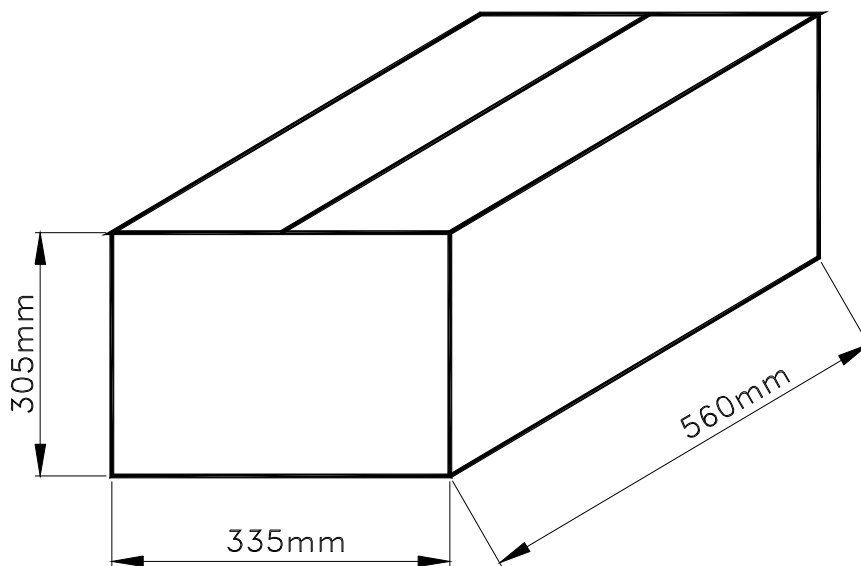


Tolerance: $\pm 5\text{mm}$

10 Inner cartons per outer carton

Total 30,000 pcs per outer carton

In every shipping lot, only the last pack will be non-full packing



Through Hole Lamp
LTL17KGH5D-012A

8. Bin Table Specification

Luminous Intensity Unit : mcd @20mA		
Bin Code	Min.	Max.
FG	110	180
HJ	180	310
KL	310	520

Note: Tolerance of each bin limit is $\pm 15\%$

Dominant Wavelength Unit : nm @20mA		
Bin Code	Min	Max
H06	566.0	568.0
H07	568.0	570.0
H08	570.0	572.0
H09	572.0	574.0
H10	574.0	576.0
H11	576.0	578.0

Note: Tolerance of each bin limit is $\pm 1\text{nm}$

Through Hole Lamp LTL17KGH5D-012A

9. CAUTIONS

9.1. Application

This LED lamp is good for application of indoor and outdoor sign, also ordinary electronic equipment.

9.2. Storage

The storage ambient for the LEDs should not exceed 30°C temperature or 70% relative humidity. It is recommended that LEDs out of their original packaging are used within three months. For extended storage out of their original packaging, it is recommended that the LEDs be stored in a sealed container with appropriate desiccant or in desiccators with nitrogen ambient.

9.3. Cleaning

Use alcohol-based cleaning solvents such as isopropyl alcohol to clean the LEDs if necessary.

9.4. Lead Forming & Assembly

During lead forming, the leads should be bent at a point at least 3mm from the base of LED lens. Do not use the base of the lead frame as a fulcrum during forming. Lead forming must be done before soldering, at normal temperature. During assembly on PCB, use minimum clinch force possible to avoid excessive mechanical stress.

9.5. Soldering

When soldering, leave a minimum of 1.6mm clearance from the base of the lens to the soldering point. Dipping the lens into the solder must be avoided. Do not apply any external stress to the lead frame during soldering while the LED is at high temperature.

Recommended soldering conditions:

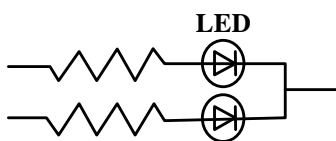
Soldering iron		Wave soldering	
Temperature	350°C Max.	Pre-heat	100°C Max.
Soldering time	3 seconds Max. (one time only)	Pre-heat time	60 seconds Max.
Position	No closer than 1.6mm from the base of the epoxy bulb	Solder wave	260°C Max.
		Soldering time	5 seconds Max.
		Dipping Position	No lower than 1.6mm from the base of the epoxy bulb

Note: Excessive soldering temperature and/or time might result in deformation of the LED lens or catastrophic failure of the LED. IR reflow is not suitable process for through hole type LED lamp product.

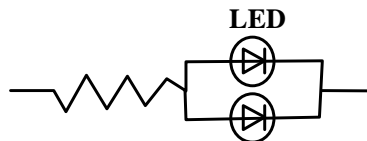
9.6. Drive Method

An LED is a current-operated device. In order to ensure intensity uniformity on multiple LEDs connected in parallel in an application, it is recommended that a current limiting resistor be incorporated in the drive circuit, in series with each LED as shown in Circuit A below.

Circuit model (A)



Circuit model (B)



(A) Recommended circuit

(B) The brightness of each LED might appear different due to the differences in the I-V characteristics of those LEDs.

Through Hole Lamp LTL17KGH5D-012A

9.7. ESD (Electrostatic Discharge)

Static Electricity or power surge will damage the LED.

Suggestions to prevent ESD damage:

- Use a conductive wrist band or anti- electrostatic glove when handling these LEDs
- All devices, equipment, and machinery must be properly grounded
- Work tables, storage racks, etc. should be properly grounded
- Use ion blower to neutralize the static charge which might have built up on surface of the LEDs plastic lens as a result of friction between LEDs during storage and handing

Suggested checking list:

Training and Certification

- 9.7.1.1. Everyone working in a static-safe area is ESD-certified?
- 9.7.1.2. Training records kept and re-certification dates monitored?

Static-Safe Workstation & Work Areas

- 9.7.2.1. Static-safe workstation or work-areas have ESD signs?
- 9.7.2.2. All surfaces and objects at all static-safe workstation and within 1 ft measure less than 100V?
- 9.7.2.3. All ionizer activated, positioned towards the units?
- 9.7.2.4. Each work surface mats grounding is good?

Personnel Grounding

- 9.7.3.1. Every person (including visitors) handling ESD sensitive (ESDS) items wear wrist strap, heel strap or conductive shoes with conductive flooring?
 - 9.7.3.2. If conductive footwear used, conductive flooring also present where operator stand or walk?
 - 9.7.3.3. Garments, hairs or anything closer than 1 ft to ESD items measure less than 100V*?
 - 9.7.3.4. Every wrist strap or heel strap/conductive shoes checked daily and result recorded for all DLs?
 - 9.7.3.5. All wrist strap or heel strap checkers calibration up to date?
- Note: *50V for Blue LED.

Device Handling

- 9.7.4.1. Every ESDS items identified by EIA-471 labels on item or packaging?
- 9.7.4.2. All ESDS items completely inside properly closed static-shielding containers when not at static-safe workstation?
- 9.7.4.3. No static charge generators (e.g. plastics) inside shielding containers with ESDS items?
- 9.7.4.4. All flexible conductive and dissipative package materials inspected before reuse or recycle?

Others

- 9.7.5.1. Audit result reported to entity ESD control coordinator?
- 9.7.5.2. Corrective action from previous audits completed?
- 9.7.5.3. Are audit records complete and on file?

Through Hole Lamp LTL17KGH5D-012A

10. Reliability Test

Classification	Test Item	Test Condition	Sample Size	Reference Standard
Endurance Test	Operation Life	Ta = Under room temperature IF = per datasheet maximum drive current Test Time= 1000hrs	22 PCS (CL=90%; LTPD=10%)	MIL-STD-750D:1026 (1995) MIL-STD-883G:1005 (2006)
	High Temperature High Humidity storage	Ta = 60°C RH = 90% Test Time= 240hrs	22 PCS (CL=90%; LTPD=10%)	MIL-STD-202G:103B (2002) JEITA ED-4701:100 103 (2001)
	High Temperature Storage	Ta= 105 ± 5°C Test Time= 1000hrs	22 PCS (CL=90%; LTPD=10%)	MIL-STD-750D:1031 (1995) MIL-STD-883G:1008 (2006) JEITA ED-4701:200 201 (2001)
	Low Temperature Storage	Ta= -55 ± 5°C Test Time= 1000hrs	22 PCS (CL=90%; LTPD=10%)	JEITA ED-4701:200 202 (2001)
Environmental Test	Temperature Cycling	100°C ~ 25°C ~ -40°C ~ 25°C 30mins 5mins 30mins 5mins 30 Cycles	22 PCS (CL=90%; LTPD=10%)	MIL-STD-750D:1051 (1995) MIL-STD-883G:1010 (2006) JEITA ED-4701:100 105 (2001) JESD22-A104C (2005)
	Thermal Shock	100 ± 5°C ~ -30°C ± 5°C 15mins 15mins 30 Cycles (<20 secs transfer)	22 PCS (CL=90%; LTPD=10%)	MIL-STD-750D:1056 (1995) MIL-STD-883G:1011 (2006) MIL-STD-202G:107G (2002) JESD22-A106B (2004)
	Solder Resistance	T. sol = 260 ± 5°C Dwell Time= 10±1 seconds 3mm from the base of the epoxy bulb	11 PCS (CL=90%; LTPD=18.9%)	MIL-STD-750D:2031(1995) JEITA ED-4701: 300 302 (2001)
	Solderability	T. sol = 245 ± 5°C Dwell Time= 5 ± 0.5 seconds (Lead Free Solder, Coverage ≥ 95% of the dipped surface)	11 PCS (CL=90%; LTPD=18.9%)	MIL-STD-750D:2026 (1995) MIL-STD-883G:2003 (2006) MIL-STD-202G:208H (2002) IPC/EIA J-STD-002 (2004)
	Soldering Iron	T. sol = 350 ± 5°C Dwell Time= 3.5 ± 0.5 seconds	11 PCS (CL=90%; LTPD=18.9%)	MIL-STD-202G:208H (2002) JEITA ED-4701:300 302 (2001)

11. Others

The appearance and specifications of the product may be modified for improvement, without prior notice.