



Through Hole Lamp
Product Data Sheet
LTL2R3FU3JSR-032A

Spec No. :DS20-2011-0154
Effective Date: 04/10/2020
Revision: B

LITE-ON DCC

RELEASE

BNS-OD-FC001/A4

Through-Hole Lamp
LTL2R3FU3JSR-032A

Through Hole Lamp

LTL2R3FU3JSR-032A

| <u>Rev</u> | <u>Description</u> | <u>By</u> | <u>Date</u> |
|---|----------------------------------|-----------|-------------|
| | | | |
| | | | |
| | | | |
| | | | |
| | | | |
| Above data for PD and Customer tracking only | | | |
| - | NPPR Received and Upload on OPNC | Nedphakas | 09/14/2012 |
| A | Update IV spec | Perry | 02/26/2020 |
| B | Upload to OPNC | Apisit | 03/30/2020 |
| | | | |
| | | | |
| | | | |

Through-Hole Lamp LTL2R3FU3JSR-032A

1. Description

5mm round lamp is a popular design with a smooth uniform view angle radiation pattern suitable in Full color signboard, Billboard sign, Message sign and bus sign. High luminous intensity output has a higher emitting efficiency to save power energy. Advanced epoxy technology has a good moisture resistance and UV protection to be used in package, and it can reduce the effect of long term exposure in outdoor environment.

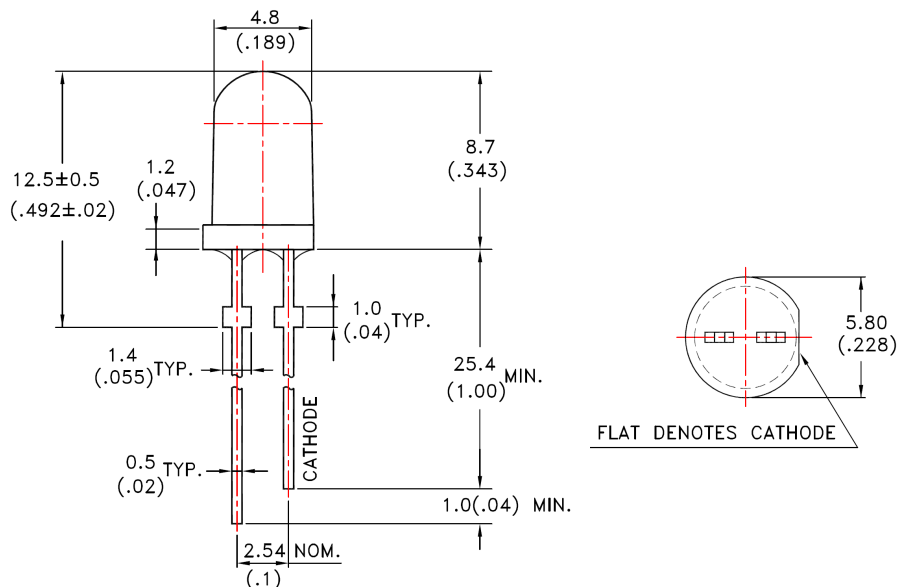
1.1. Features

- High Luminous intensity output.
- Low power consumption & High efficiency.
- Superior resistance to moisture
- Good UV inhibitor
- Lead free & RoHS Compliant
- Popular T-1 $\frac{3}{4}$ diameter, Amber AlGaInP 607nm Lamp, White Diffused package.
- Typical viewing angle 30°

1.2. Applications

- Video message sign
- Traffic sign
- Message sign
- Bus sign

2. Outline Dimensions



Notes :

1. All dimensions are in millimeters (inches).
2. Tolerance is ± 0.25 mm (.010") unless otherwise noted.
3. Protruded resin under flange is 1.0mm (.04") max.
4. Lead spacing is measured where the leads emerge from the package.
5. Specifications are subject to change without notice.

Through-Hole Lamp LTL2R3FU3JSR-032A

3. Absolute Maximum Ratings at TA=25°C

| Parameter | Maximum Rating | Unit |
|--|--------------------------|-------|
| Power Dissipation | 120 | mW |
| Peak Forward Current (Duty Cycle \leq 1/10, Pulse Width \leq 0.1ms) | 90 | mA |
| DC Forward Current | 50 | mA |
| Derating Linear From 25°C | 0.5 | mA/°C |
| Reverse Voltage | 5 | V |
| Operating Temperature Range | -40°C to + 85°C | |
| Storage Temperature Range | -55°C to + 100°C | |
| Lead Soldering Temperature [2.0mm (.079") From Body] | 260°C for 5 Seconds Max. | |

4. Electrical / Optical Characteristics at TA=25°C

| Parameter | Symbol | Min. | Typ. | Max. | Unit | Test Condition |
|--------------------------|-----------------|------|------|------|---------|--|
| Luminous Intensity | Iv | 880 | | 1900 | mcd | IF = 10mA Note 1,5 |
| Viewing Angle | $\theta_{1/2}$ | 25 | 30 | | deg | IF = 10mA Note 2 (Fig.6) |
| Peak Emission Wavelength | λ_P | | 607 | | nm | IF = 10mA Measurement @Peak (Fig.1) |
| Dominant Wavelength | λ_d | 600 | 604 | 610 | nm | IF = 10mA Note 4 |
| Spectral Line Half-Width | $\Delta\lambda$ | | 17 | | nm | IF = 10mA |
| Forward Voltage | VF | 1.7 | 1.9 | 2.4 | V | IF = 10mA |
| Reverse Current | IR | | | 100 | μ A | VR = 5V |

NOTE:

- Luminous intensity is measured with a light sensor and filter combination that approximates the CIE eye-response curve.
- $\theta_{1/2}$ is the off-axis angle at which the luminous intensity is half the axial luminous intensity.
- Iv classification code is marked on each packing bag.
- The dominant wavelength, λ_d is derived from the CIE chromaticity diagram and represents the single wavelength which defines the color of the device.
- Iv guarantee must be included with $\pm 15\%$ testing tolerance.
- Reverse voltage (VR) condition is applied for IR test only. The device is not designed for reverse operation.

Through-Hole Lamp LTL2R3FU3JSR-032A

5. Typical Electrical / Optical Characteristics Curves

(25°C Ambient Temperature Unless Otherwise Noted)

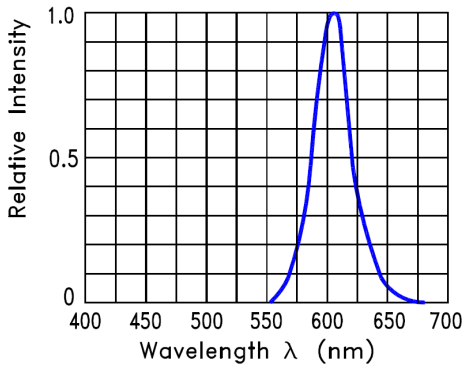


Fig.1 Relative Intensity VS. Wavelength

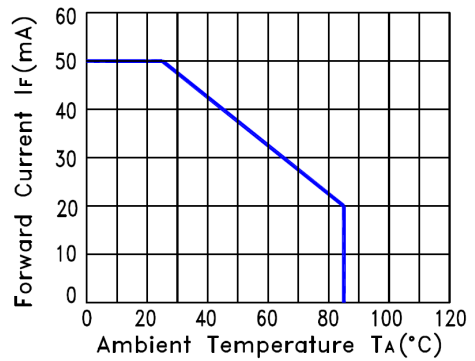


Fig.2 Forward Current Derating Curve

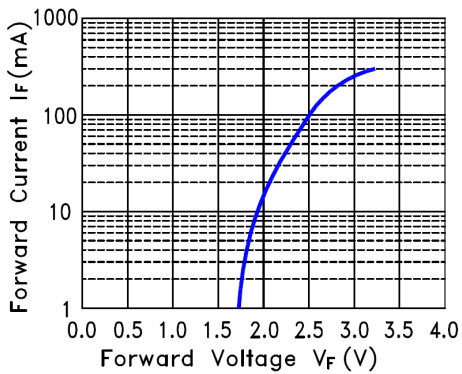


Fig.3 Forward Current vs. Forward Voltage

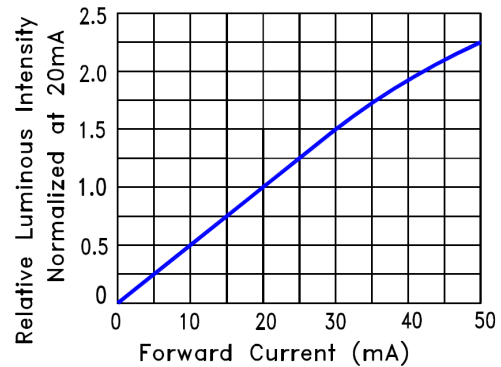


Fig.4 Relative Luminous Intensity vs. Forward Current

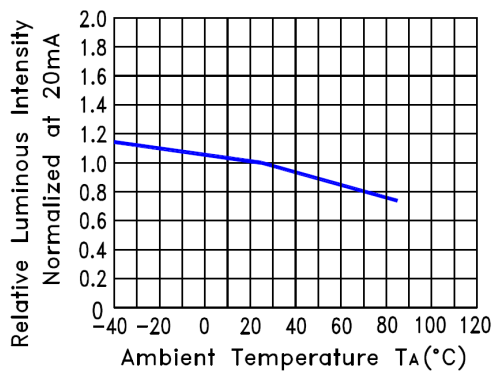


Fig.5 Relative Luminous Intensity VS. Ambient Temperature

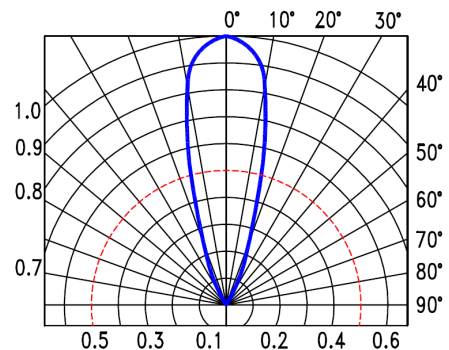


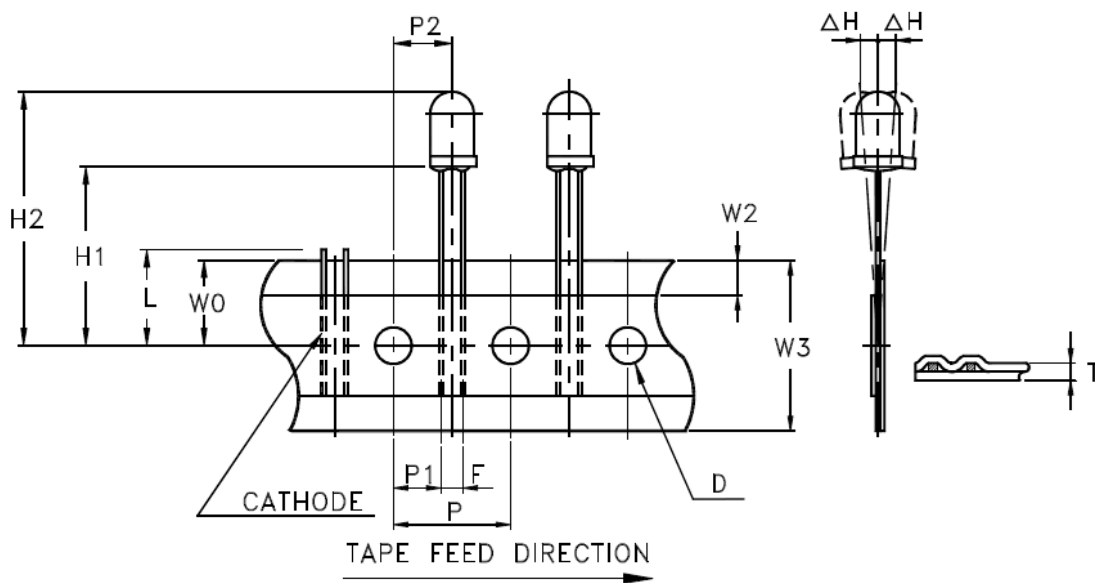
Fig.6 Spatial Distribution

Through-Hole Lamp LTL2R3FU3JSR-032A

6. Taping Features

- * Compatible with radial lead automatic insertion equipment.
- * Most radial lead plastic lead lamps available packaged in tape and folding.
- * 2.54mm (0.1") straight lead spacing available.
- * Folding packaging simplifies handling and testing.
- * Reel packaging is available by removing suffix "A" on option.

Package Dimensions

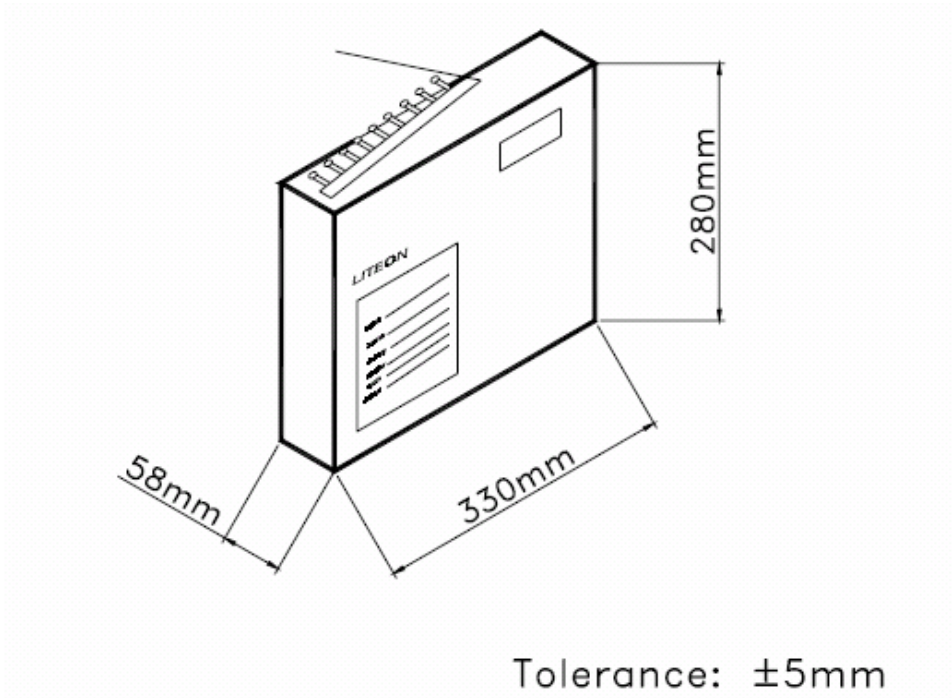


| Item | Symbol | Specification | | | |
|---------------------------------------|------------|---------------|-------|---------|-------|
| | | Minimum | | Maximum | |
| | | mm | inch | mm | inch |
| Tape Feed Hole Diameter | D | 3.8 | 0.149 | 4.2 | 0.165 |
| Component Lead Pitch | F | 2.3 | 0.091 | 3.0 | 0.118 |
| Front to Rear Deflection | ΔH | -- | -- | 2.0 | 0.078 |
| Feed Hole to Bottom of Component | H1 | 20.0 | 0.787 | 21.0 | 0.827 |
| Feed Hole to Overall Component Height | H2 | 28.4 | 1.118 | 30.0 | 1.181 |
| Lead Length After Component Height | L | W0 | | 11.0 | 0.433 |
| Feed Hole Pitch | P | 12.4 | 0.488 | 13.0 | 0.511 |
| Lead Location | P1 | 4.4 | 0.173 | 5.8 | 0.228 |
| Center of Component Location | P2 | 5.05 | 0.198 | 7.65 | 0.301 |
| Total Tape Thickness | T | -- | -- | 0.90 | 0.035 |
| Feed Hole Location | W0 | 8.5 | 0.334 | 9.75 | 0.384 |
| Adhesive Tape Position | W2 | 0 | 0 | 3.0 | 0.118 |
| Tape Width | W3 | 17.5 | 0.689 | 19.0 | 0.748 |

Through-Hole Lamp
LTL2R3FU3JSR-032A

7. Packing Spec.

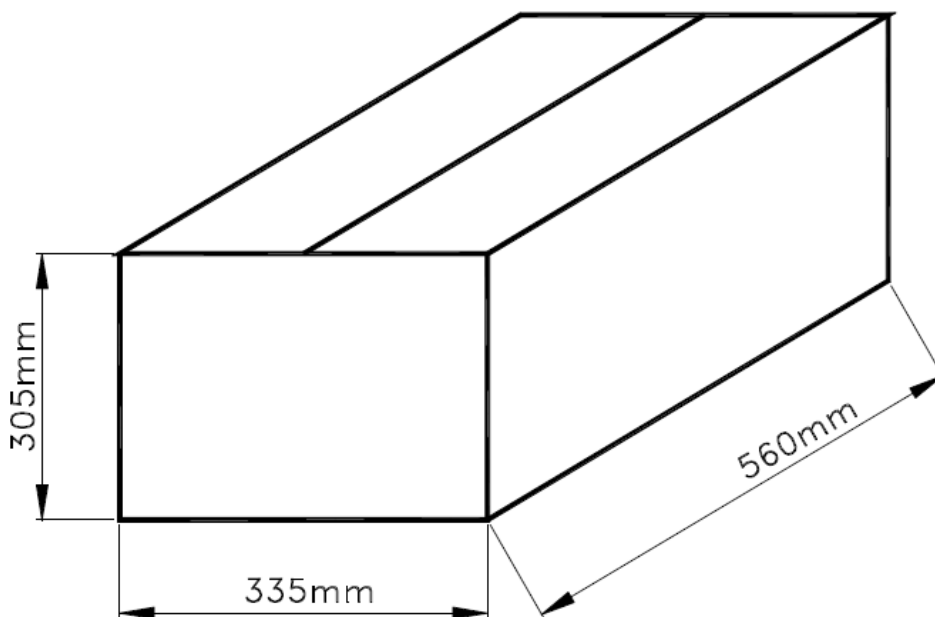
Total 2,000pcs per inner carton



10 Inner cartons per outer carton

Total 20,000 pcs per outer carton

In every shipping lot, only the last pack will be non-full packing



Through-Hole Lamp
LTL2R3FU3JSR-032A

8. Bin Table Specification

| Luminous Intensity I_v (mcd) $I_F@10mA$ | | |
|---|------|------|
| Bin Code | Min. | Max. |
| P | 880 | 1150 |
| Q | 1150 | 1500 |
| R | 1500 | 1900 |

Note: Tolerance of each bin limit is $\pm 15\%$

| Dominant Wavelength λ_d (nm) @10mA | | |
|--|-------|-------|
| Bin Code | Min | Max |
| H23 | 600.0 | 603.0 |
| H24 | 603.0 | 606.5 |
| H25 | 606.5 | 610.0 |

Note: Tolerance of each bin limit is $\pm 1nm$

| Forward Voltage V_f Unit : V @10mA | | |
|--------------------------------------|-----|-----|
| Bin Code | Min | Max |
| 0 | 1.7 | 1.8 |
| 1 | 1.8 | 1.9 |
| 2 | 1.9 | 2.0 |
| 3 | 2.0 | 2.1 |
| 4 | 2.1 | 2.2 |
| 5 | 2.2 | 2.3 |
| 6 | 2.3 | 2.4 |

Note: Tolerance of each bin limit is $\pm 0.05V$

Through-Hole Lamp LTL2R3FU3JSR-032A

9. CAUTIONS

9.1. Application

This LED lamp is good for application of indoor and outdoor sign, also ordinary electronic equipment.

9.2. Storage

The storage ambient for the LEDs should not exceed 30°C temperature or 70% relative humidity. It is recommended that LEDs out of their original packaging are used within three months. For extended storage out of their original packaging, it is recommended that the LEDs be stored in a sealed container with appropriate desiccant or in desiccators with nitrogen ambient.

9.3. Cleaning

Use alcohol-based cleaning solvents such as isopropyl alcohol to clean the LEDs if necessary.

9.4. Lead Forming & Assembly

During lead forming, the leads should be bent at a point at least 3mm from the base of LED lens. Do not use the base of the lead frame as a fulcrum during forming. Lead forming must be done before soldering, at normal temperature. During assembly on PCB, use minimum clinch force possible to avoid excessive mechanical stress.

9.5. Soldering

When soldering, leave a minimum of 3mm clearance from the base of the lens to the soldering point. Dipping the lens into the solder must be avoided. Do not apply any external stress to the lead frame during soldering while the LED is at high temperature.

Recommended soldering conditions:

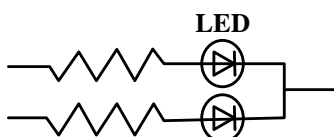
| Soldering iron | | Wave soldering | |
|----------------|---|------------------|--|
| Temperature | 350°C Max. | Pre-heat | 100°C Max. |
| Soldering time | 3 seconds Max. (one time only) | Pre-heat time | 60 seconds Max. |
| Position | No closer than 2mm from the base of the epoxy bulb | Solder wave | 260°C Max. |
| | | Soldering time | 5 seconds Max. |
| | | Dipping Position | No lower than 2mm from the base of the epoxy bulb |

Note: Excessive soldering temperature and/or time might result in deformation of the LED lens or catastrophic failure of the LED. IR reflow is not suitable process for through hole type LED lamp product.

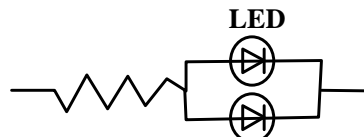
9.6. Drive Method

An LED is a current-operated device. In order to ensure intensity uniformity on multiple LEDs connected in parallel in an application, it is recommended that a current limiting resistor be incorporated in the drive circuit, in series with each LED as shown in Circuit A below.

Circuit model (A)



Circuit model (B)



(A) Recommended circuit

(B) The brightness of each LED might appear different due to the differences in the I-V characteristics of those LEDs.

Through-Hole Lamp LTL2R3FU3JSR-032A

9.7. ESD (Electrostatic Discharge)

Static Electricity or power surge will damage the LED.

Suggestions to prevent ESD damage:

- Use a conductive wrist band or anti- electrostatic glove when handling these LEDs
- All devices, equipment, and machinery must be properly grounded
- Work tables, storage racks, etc. should be properly grounded
- Use ion blower to neutralize the static charge which might have built up on surface of the LEDs plastic lens as a result of friction between LEDs during storage and handing

Suggested checking list:

Training and Certification

- 9.7.1.1. Everyone working in a static-safe area is ESD-certified?
- 9.7.1.2. Training records kept and re-certification dates monitored?

Static-Safe Workstation & Work Areas

- 9.7.2.1. Static-safe workstation or work-areas have ESD signs?
- 9.7.2.2. All surfaces and objects at all static-safe workstation and within 1 ft measure less than 100V?
- 9.7.2.3. All ionizer activated, positioned towards the units?
- 9.7.2.4. Each work surface mats grounding is good?

Personnel Grounding

- 9.7.3.1. Every person (including visitors) handling ESD sensitive (ESDS) items wear wrist strap, heel strap or conductive shoes with conductive flooring?
- 9.7.3.1. If conductive footwear used, conductive flooring also present where operator stand or walk?
- 9.7.3.2. Garments, hairs or anything closer than 1 ft to ESD items measure less than 100V*?
- 9.7.3.3. Every wrist strap or heel strap/conductive shoes checked daily and result recorded for all DLs?
- 9.7.3.4. All wrist strap or heel strap checkers calibration up to date?
Note: *50V for Blue LED.

Device Handling

- 9.7.4.1. Every ESDS items identified by EIA-471 labels on item or packaging?
- 9.7.4.2. All ESDS items completely inside properly closed static-shielding containers when not at static-safe workstation?
- 9.7.4.3. No static charge generators (e.g. plastics) inside shielding containers with ESDS items?
- 9.7.4.4. All flexible conductive and dissipative package materials inspected before reuse or recycle?

Others

- 9.7.5.1. Audit result reported to entity ESD control coordinator?
- 9.7.5.2. Corrective action from previous audits completed?
- 9.7.5.3. Are audit records complete and on file?

Through-Hole Lamp LTL2R3FU3JSR-032A

10. Reliability Test

| Classification | Test Item | Test Condition | Sample Size | Reference Standard |
|--------------------|---|---|-----------------------------------|--|
| Endurance Test | Operation Life | Ta = 25°C IF = 30mA Test Time = 1000hrs | 45 PCS (CL=90%; LTPD=5%) | MIL-STD-750D:1026 (1995) MIL-STD-883G:1005 (2006) |
| | High Temperature High Humidity storage (THB) | Ta = 85°C RH = 85% Test Time = 1000hrs | 45 PCS (CL=90%; LTPD=5%) | MIL-STD-202G:103B (2002) JEITA ED-4701:100 103 (2001) |
| | Steady state Operation Life of High Humidity Heat | Ta = 85°C, RH= 85 % IF = 5mA Test Time = 500hrs | 76 PCS (CL=90%; LTPD=3%) | JESD22-A101C (2009) |
| | Low Temperature Operation Life of | Ta = -30°C IF = 20A Test Time = 1000hrs | 45 PCS (CL=90%; LTPD=5%) | |
| | High Temperature Storage | Ta = 105 ± 5°C Test Time = 1000hrs | 45 PCS (CL=90%; LTPD=5%) | MIL-STD-750D:1031 (1995) MIL-STD-883G:1008 (2006) JEITA ED-4701:200 201 (2001) |
| | Low Temperature Storage | Ta = -55 ± 5°C Test Time = 1000hrs | 45 PCS (CL=90%; LTPD=5%) | JEITA ED-4701:200 202 (2001) |
| Environmental Test | Temperature Cycling | 100°C ~ 25°C ~ -40°C ~ 25°C 30mins 5mins 30mins 5mins Test time: 200 Cycles | 76 PCS (CL=90%; LTPD=3%) | MIL-STD-750D:1051 (1995) MIL-STD-883G:1010 (2006) JEITA ED-4701:100 105 (2001) JESD22-A104C (2005) |
| | Thermal Shock | 100 ± 5°C ~ -30°C ± 5°C 15mins 15mins Test time: 200 Cycles | 76 PCS (CL=90%; LTPD=3%) | MIL-STD-750D:1056 (1995) MIL-STD-883G:1011 (2006) MIL-STD-202G:107G (2002) JESD22-A106B (2004) |
| | Solder Resistance | T. sol = 260 ± 5°C Dwell Time= 10±1 seconds 3mm from the base of the epoxy bulb | 11 PCS (CL=90%; LTPD=18.9%) | MIL-STD-750D:2031(1995) JEITA ED-4701: 300 302 (2001) |
| | Solderability | T. sol = 245 ± 5°C Dwell Time= 5 ± 0.5 seconds (Lead Free Solder, Coverage ≥ 95% of the dipped surface) | 11 PCS (CL=90%; LTPD=18.9%) | MIL-STD-750D:2026 (1995) MIL-STD-883G:2003 (2006) MIL-STD-202G:208H (2002) IPC/EIA J-STD-002 (2004) |
| | Soldering Iron | T. sol = 350 ± 5°C Dwell Time= 3.5 ± 0.5 seconds | 11 PCS (CL=90%; LTPD=18.9%) | MIL-STD-202G:208H (2002) JEITA ED-4701:300 302 (2001) |

11. Others

The appearance and specifications of the product may be modified for improvement, without prior notice.