



Through Hole Lamp Product Data Sheet LTW-1KHDS5Z

Spec No.: DS20-2012-0148

Effective Date: 10/19/2012

Revision: -

LITE-ON DCC

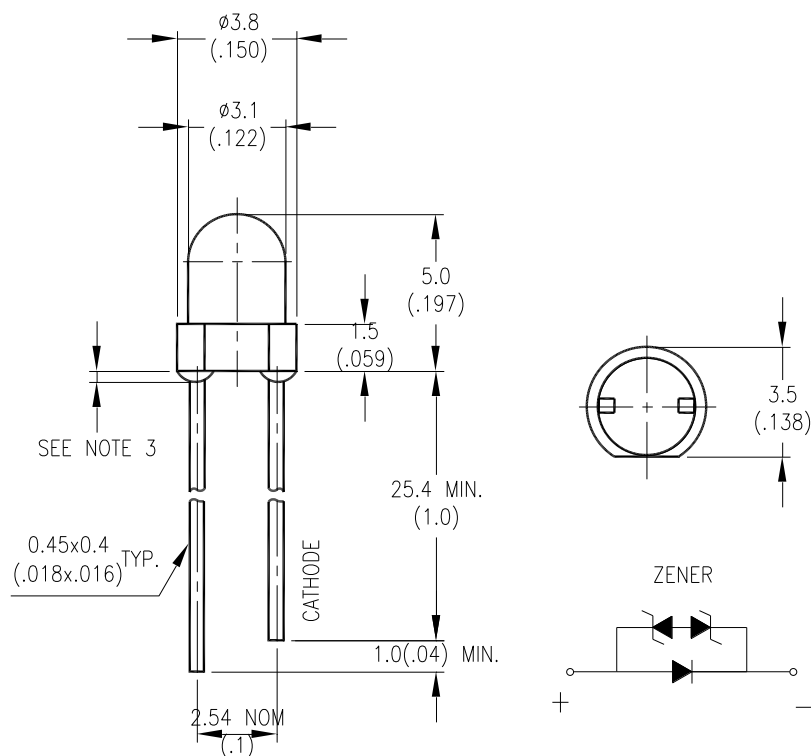
RELEASE

BNS-OD-FC001/A4

Features

- * Lead (Pb) free product - RoHS compliant
- * Low power consumption.
- * High efficiency & reliability.
- * Versatile mounting on p.c. board or panel.
- * I.C. compatible/low current requirement.
- * Popular T-13/4 diameter.

Package Dimensions



Part No.	Lens Color	Emitted Color
LTW-1KHDS5Z	Water Clear	InGaN White

NOTES:

1. All dimensions are in millimeters (inches).
2. Tolerance is $\pm 0.25\text{mm} (.010\text{'})$ unless otherwise noted.
3. Protruded resin under flange is 1.0mm (.04") max.
4. Lead spacing is measured where the leads emerge from the package.
5. Specifications are subject to change without notice.

Absolute Maximum Ratings at Ta=25°C

PARAMETER	MAXIMUM RATING	UNIT
Power Dissipation	114	mW
Peak Forward Current (1/10 Duty Cycle, 0.1ms Pulse Width)	100	mA
DC Forward Current	30	mA
Zener Reverse Current	100	nA
Electrostatic Discharge	4000	V
Operating Temperature Range	-40°C to + 85°C	
Storage Temperature Range	-40°C to + 100°C	
Lead Soldering Temperature [2.0mm(.08") From Body]	260°C for 5 Seconds	

Electrical / Optical Characteristics at Ta=25°C

PARAMETER	SYMBOL	MIN.	TYP.	MAX.	UNIT	TEST CONDITION
Luminous Intensity	I _v		3300		mcd	I _F = 20mA Note 1,2,3 I _v Spec. Table
Viewing Angle	2θ _{1/2}		50		deg	Note 4
Chromaticity Coordinates	x		0.29			I _F = 20mA Note 5 Hue Spec. Table & Chromaticity Diagram
	y		0.28			
Forward Voltage	V _F		3.3	3.8	V	I _F = 20mA
Reverse Current	I _R			10	μA	V _R = 5V
Zener Reverse Current	V _Z	5.2			V	I _Z = 5mA

NOTE:

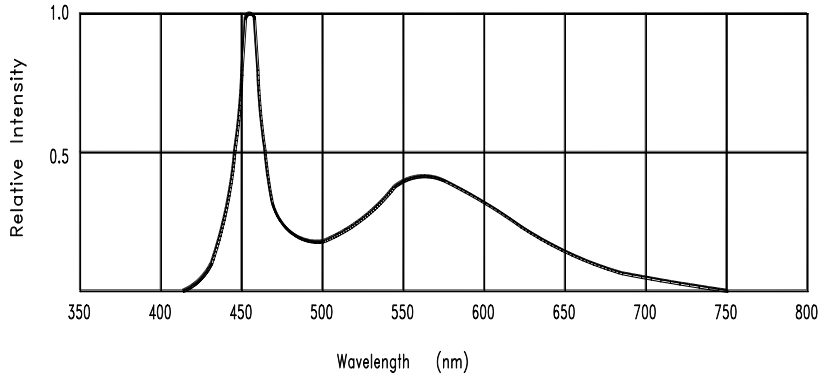
- Luminous intensity is measured with a light sensor and filter combination that approximates the CIE eye-response curve.
- The I_v guarantee should be added ±15% tolerance.
- I_v classification code is marked on each packing bag.
- θ_{1/2} is the off-axis angle at which the luminous intensity is half the axial luminous intensity.
- The chromaticity coordinates (x, y) is derived from the 1931 CIE chromaticity diagram.
- Reverse voltage (V_R) condition is applied for I_R test only. The device is not designed for reverse operation.

Property of Lite-On Only

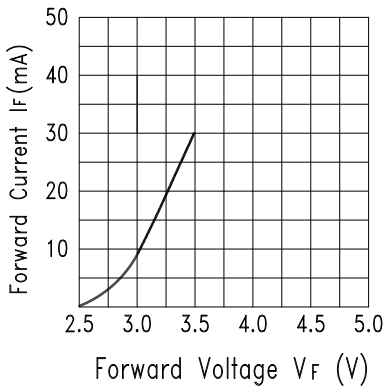
Typical Electrical / Optical Characteristics Curves

(25°C Ambient Temperature Unless Otherwise Noted)

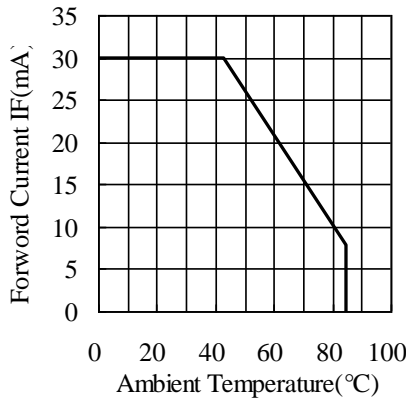
Spectrum



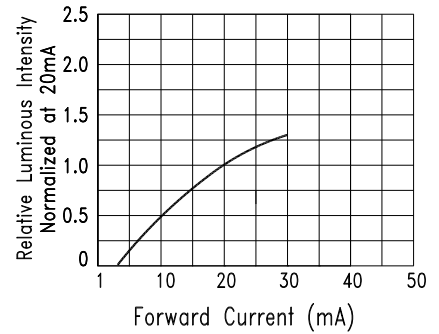
Forward Voltage vs. Forward Current



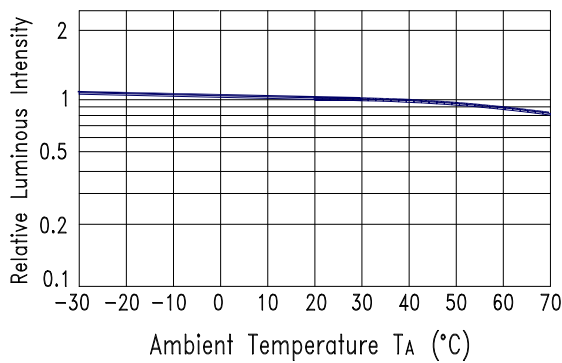
Ambient Temperature vs. Forward Current



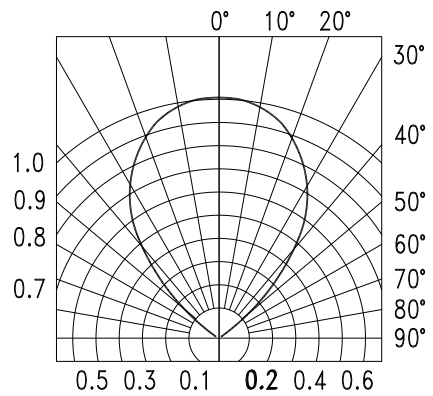
Forward Current vs. Relative Luminous Intensity



Ambient Temperature vs. Relative Luminous Intensity






Spatial Distribution

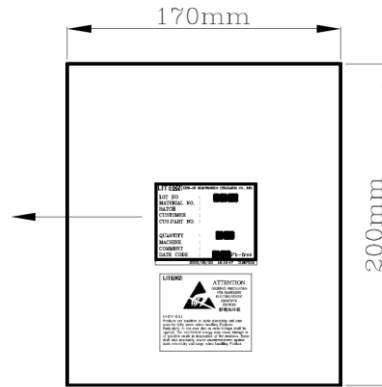


Property of Lite-On Only

Packing Specification

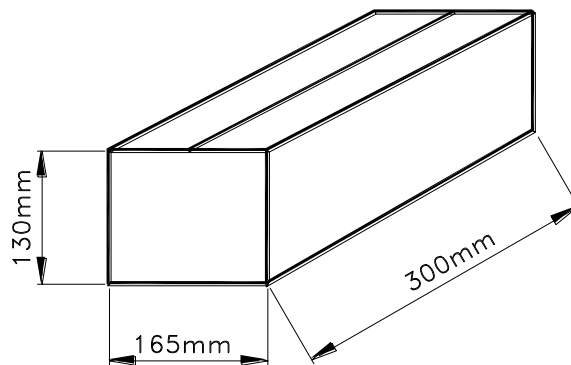
1000, 500, 200 or 100pcs per packing bag

LITEON LITE-ON ELECTRONICS (THAILAND) CO., LTD.	
LOT NO :	
MATERIAL NO. :	
BATCH :	
CUSTOMER :	
CUS.PART NO. :	
QUANTITY :	
MACHINE :	
COMMENT :	
DATE CODE :	 Pb-free/RoHS
2003/06/20 16:19:47 TLMP002	



10 packing bags per inner carton

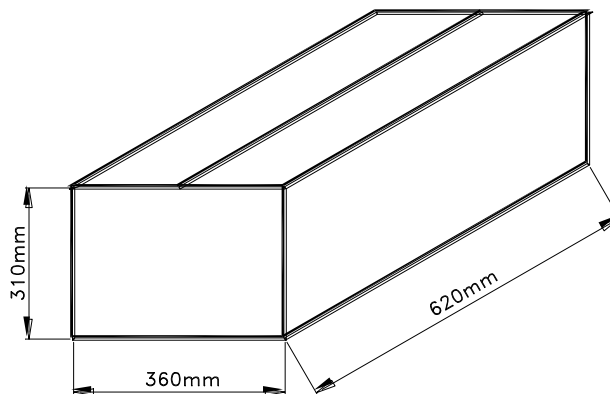
Total 10,000 pcs per inner carton



8 Inner cartons per outer carton

Total 80,000 pcs per outer carton

In every shipping lot, only the last pack will be non-full packing



Optical/Electrical Bin Table
Iv Spec. Table for Reference

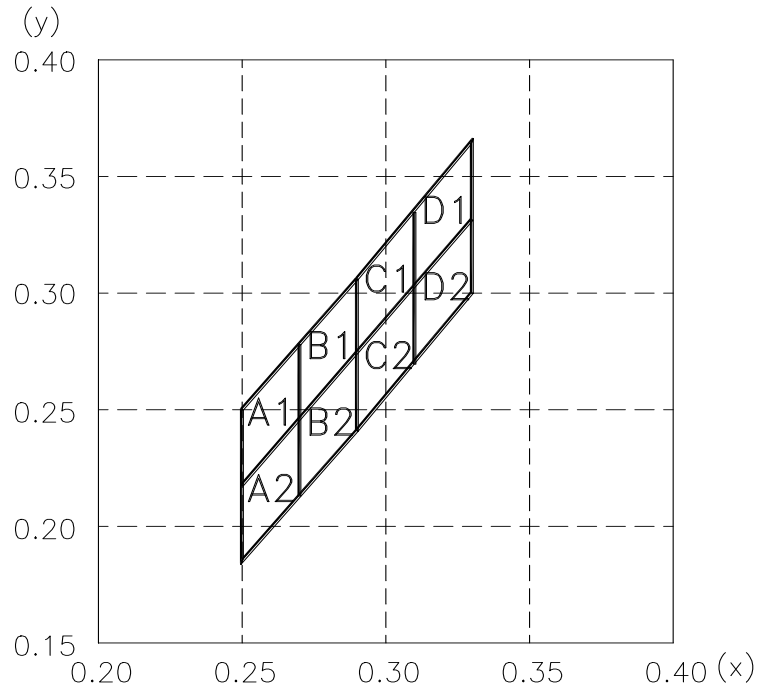
Iv Bin	Luminous Intensity (mcd) , If = 20mA	
	min.	max.
Q	1150	1500
R	1500	1900
S	1900	2500
T	2500	3200
U	3200	4200

Luminous Intensity Measurement allowance is 15%

Hue Spec. Table for Reference

Hue Rank	Chromaticity Coordinates Limits, If=20mA				
A1	x	0.2500	0.2700	0.2700	0.2500
	y	0.2175	0.2455	0.2780	0.2500
A2	x	0.2500	0.2700	0.2700	0.2500
	y	0.1850	0.2130	0.2455	0.2175
B1	x	0.2700	0.2900	0.2900	0.2700
	y	0.2455	0.2735	0.3060	0.2785
B2	x	0.2700	0.2900	0.2900	0.2700
	y	0.2130	0.2410	0.2735	0.2455
C1	x	0.2900	0.3100	0.3100	0.2900
	y	0.2735	0.3030	0.3355	0.3060
C2	x	0.2900	0.3100	0.3100	0.2900
	y	0.2410	0.2705	0.3030	0.2735
D1	x	0.3100	0.3300	0.3300	0.3100
	y	0.3030	0.3325	0.3650	0.3355
D2	x	0.3100	0.3300	0.3300	0.3100
	y	0.2705	0.3000	0.3325	0.3030

Color Coordinates Measurement allowance is ± 0.01

C.I.E. 1931 Chromaticity Diagram

CAUTIONS

1. Application

The LEDs described here are intended to be used for ordinary electronic equipment (such as office equipment, communication equipment and household applications). Consult Liteon's Sales in advance for information on applications in which exceptional reliability is required, particularly when the failure or malfunction of the LEDs may directly jeopardize life or health (such as in aviation, transportation, traffic control equipment, medical and life support systems and safety devices).

2. Storage

The storage ambient for the LEDs should not exceed 30°C temperature or 70% relative humidity. It is recommended that LEDs out of their original packaging are used within three months.

For extended storage out of their original packaging, it is recommended that the LEDs be stored in a sealed container with appropriate desiccant or in a dessicator with nitrogen ambient.

3. Cleaning

Use alcohol-based cleaning solvents such as isopropyl alcohol to clean the LEDs if necessary.

4. Lead Forming & Assembly

During lead forming, the leads should be bent at a point at least 3 mm from the base of LED lens. Do not use the base of the lead frame as a fulcrum during forming. Lead forming must be done before soldering at normal temperature. During assembly on PCB, use minimum clinch force possible to avoid excessive mechanical stress

5. Soldering

When soldering, leave a minimum of 2 mm clearance from the base of the lens to the soldering point. Dipping the lens into the solder must be avoided. Do not apply any external stress to the lead frame during soldering while the LED is at high temperature.

Recommended soldering condition:

Soldering Iron		Wave Soldering	
Temperature	350°C Max.	Pre-heat	100°C Max.
Soldering time	3 sec. Max. (one time only)	Pre-heat time	60 sec. Max.
		Solder wave	260°C Max.
		Soldering time	5 sec. Max.

Note: Excessive soldering temperature and/or time might result in deformation of the LED lens or catastrophic failure of the LED. IR re-flow is not suitable process for through-hole type LED lamp production.

6. Drive Method

An LED is a current operated device, In order to ensure intensity uniformity on multiple LEDs connected in parallel in an application; it is recommended that a current limiting resistor be incorporated in the drive circuit. In series with each LED as shown in Circuit A below.

Circuit model A	Circuit model B	(A) Recommended circuit. (B) The brightness of each LED might appear different due to the differences in the I-V characteristics of those LEDs

7. ESD (Electrostatic Discharge)

Static Electricity or power surge will damage the LED.

Suggestions to prevent ESD damage.

- Use a conductive wrist band or anti-electrostatic glove when handling these LEDs.
- All devices, equipment, and machinery must be properly grounded.
- Work tables, storage racks, etc. should be properly grounded.
- Use ion blower to neutralize the static charge which might have built up on surface of the LED's plastic lens as a result of friction between LEDs during storage and handling.

ESD-damaged LEDs will exhibit abnormal characteristics such as high reverse leakage current, low forward voltage, or “no light up” at low currents. To verify for ESD damage, check for “light up” and Vf of the suspect LEDs at low currents.

Suggested checking list:

Training and Certification

1. Everyone working in a static-safe area is ESD-certified?
2. Training records kept and re-certification dates monitored?

Static-Safe Workstation & Work Areas

1. Static-safe workstation or work-areas have ESD signs?
2. All surfaces and objects at all static-safe workstation and within 1 ft measure less than 100V?
3. All ionize activated, positioned towards the units?
4. Each work surface mats grounding is good?

Personnel Grounding

1. Every person (including visitors) handling ESD sensitive (ESDS) items wear wrist strap, heel strap or conductive shoes with conductive flooring?
2. If conductive footwear used, conductive flooring also present where operator stand or walk?
3. Garments, hairs or anything closer than 1 ft to ESD items measure less than 100V*?
4. Every wrist strap or heel strap/conductive shoes checked daily and result recorded for all DLs?
5. All wrist strap or heel strap checkers calibration up to date?

Note: *50V for Blue LED.

Device Handling

1. Every ESDS items identified by EIA-471 labels on item or packaging?
2. All ESDS items completely inside properly closed static-shielding containers when not at static-safe workstation?
3. No static charge generators (e.g. plastics) inside shielding containers with ESDS items?
4. All flexible conductive and dissipative package materials inspected before reuse or recycle?

Others

1. Audit result reported to entity ESD control coordinator?
2. Corrective action from previous audits completed?
3. Are audit records complete and on file?

8. Others

White LED is materialized by combining blue LED and phosphors. Color of White LED is changed a little by an operating current. The appearance and specifications of the product may be modified for improvement, without prior notice.