



Through Hole Lamp  
Product Data Sheet  
LTL-M11KR1H300U

Spec No. :DS20-2020-0051  
Effective Date: 02/19/2021  
Revision: A

**LITE-ON DCC**

**RELEASE**

BNS-OD-FC001/A4

**SMT CBI**  
**LTL-M11KR1H300U**

**SMT CBI**

LTL-M11KR1H300U

<u>Rev</u>	<u>Description</u>	<u>By</u>	<u>Date</u>
P01	Preliminary Specification (RDR-20180562-02)	Javy H.	05/21/2018
P02	Updated Spec. (Outline Dimensions Add Surface A Tolerance)	Javy H.	04/25/2019
P03	Updated Packing Specification (Carton Specification)	Javy H.	04/13/2020
<b>Above data for PD and Customer tracking only</b>			
-	New Specification, Upload to System	Javy H.	04/21/2020
A	Updated Packing Specification	Chalerm Ya.	01/29/2021

## SMT CBI LTL-M11KR1H300U

### 1. Description

CBI (Circuit Board Indicator) is a black plastic right angle Holder (Housing) which mates with Lite-On LED lamps. Lite-On CBI is available in a wide variety of packages, including top-view (Spacer) or right angle and horizontal or vertical arrays which is stackable and easy to assembly.

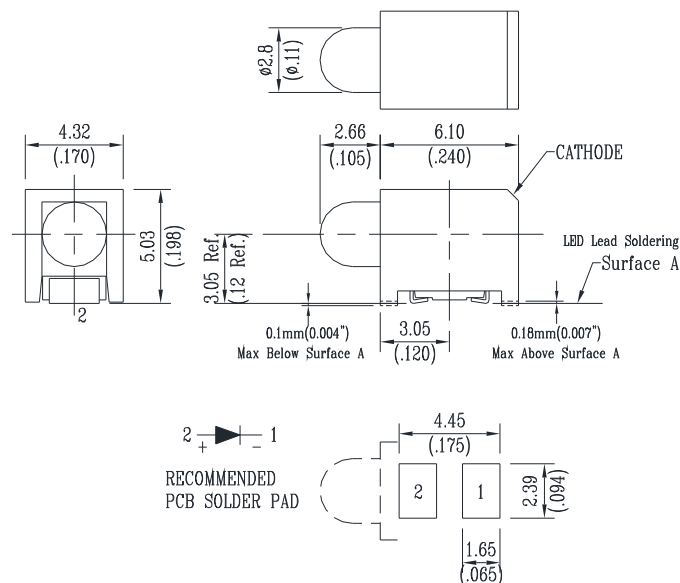
#### 1.1. Features

- Available for Surface Mount Technology process
- Black case enhance contrast ratio.
- Low power consumption & High efficiency.
- Lead free product & RoHS Compliant.
- Source colors is AlInGaP red chip with white diffused lens.
- Preconditioning: accelerate to JEDEC level 3

#### 1.2. Applications

- Computer.
- Communication.
- Consumer.
- Industrial.

### 2. Outline Dimensions



#### Notes :

- All dimensions are in millimeters (inches).
- Tolerance is  $\pm 0.25\text{mm}$  (.010") unless otherwise noted.
- The Holder (Housing) material is plastic / black.
- LED is red color with white diffused lens.
- Specifications are subject to change without notice.

## SMT CBI LTL-M11KR1H300U

### 3. Absolute Maximum Ratings at TA=25°C

Parameter	Maximum Rating	Unit
Power Dissipation	72	mW
Peak Forward Current (Duty Cycle $\leq$ 1/10, Pulse Width $\leq$ 0.1ms)	80	mA
DC Forward Current	30	mA
Operating Temperature Range	-40°C to + 85°C	
Storage Temperature Range	-40°C to + 100°C	
Lead Soldering Temperature [2.0mm (.079") From Body]	260°C for 5 Seconds Max.	

### 4. Electrical / Optical Characteristics at TA=25°C

Parameter	Symbol	Min.	Typ.	Max.	Unit	Test Condition
Luminous Intensity	I <sub>V</sub>	4.5		50	mcd	IF = 10mA Note 1, 3
Viewing Angle	2 $\theta$ <sub>1/2</sub>		40		deg	Note 2 (Fig.6)
Peak Emission Wavelength	$\lambda$ <sub>P</sub>		638		nm	Measurement @Peak (Fig.1)
Dominant Wavelength	$\lambda$ <sub>d</sub>	623	630	640	nm	IF=10 mA, Note 4
Spectral Line Half-Width	$\Delta\lambda$		15		nm	
Forward Voltage	V <sub>F</sub>		2.0	2.5	V	IF = 10mA
Reverse Current	I <sub>R</sub>			10	$\mu$ A	VR = 5V, Note 5

#### NOTE:

- Luminous intensity is measured with a light sensor and filter combination that approximates the CIE eye-response curve.
- $\theta_{1/2}$  is the off-axis angle at which the luminous intensity is half the axial luminous intensity.
- I<sub>v</sub> classification code is marked on each packing bag.
- The dominant wavelength,  $\lambda_d$  is derived from the CIE chromaticity diagram and represents the single wavelength which defines the color of the device.
- Reverse voltage (VR) condition is applied for I<sub>R</sub> test only. The device is not designed for reverse operation.

**SMT CBI**  
**LTL-M11KR1H300U**

**5. Typical Electrical / Optical Characteristics Curves**

(25°C Ambient Temperature Unless Otherwise Noted)

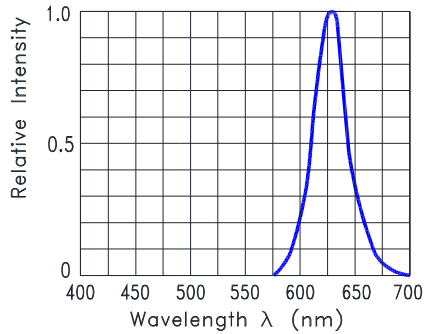


Fig.1 Relative Intensity VS. Wavelength

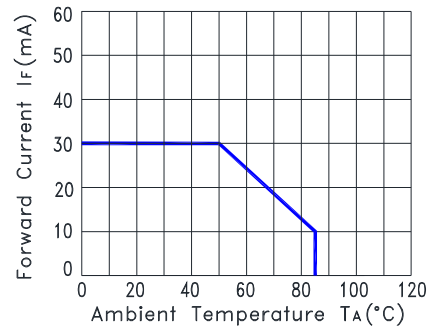


Fig.2 Forward Current Derating Curve

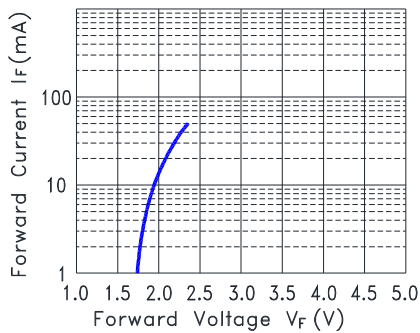


Fig.3 Forward Current vs. Forward Voltage

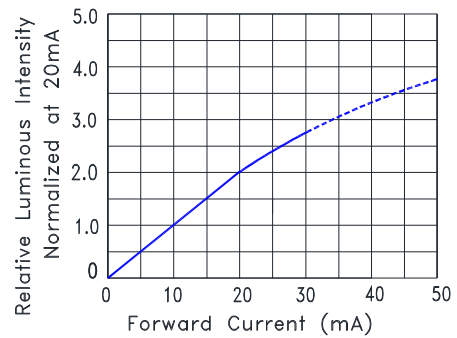


Fig.4 Relative Luminous Intensity vs. Forward Current

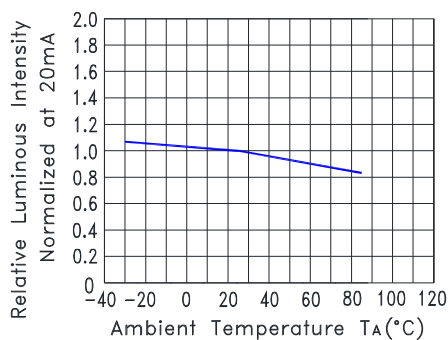


Fig.5 Relative Luminous Intensity VS. Ambient Temperature

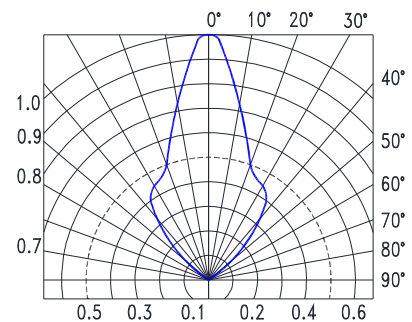
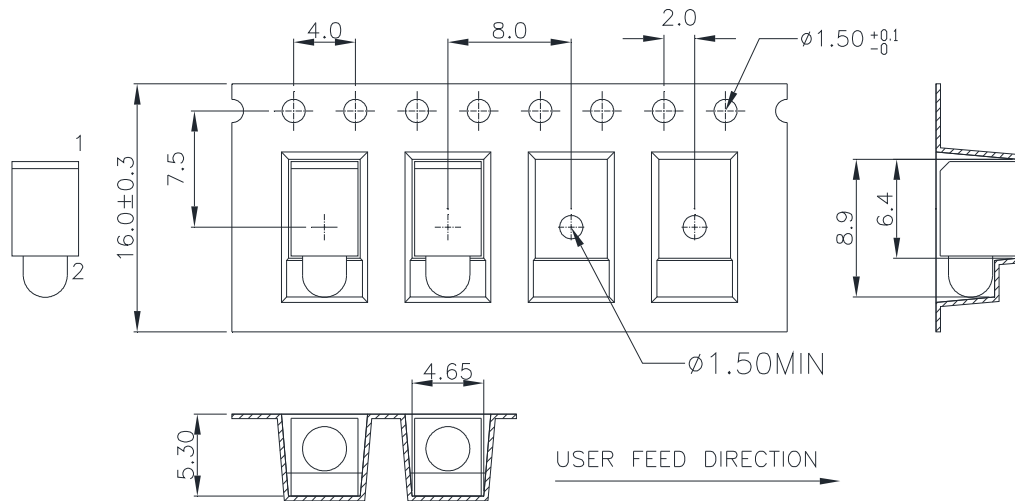


Fig.6 Spatial Distribution

**SMT CBI**  
**LTL-M11KR1H300U**

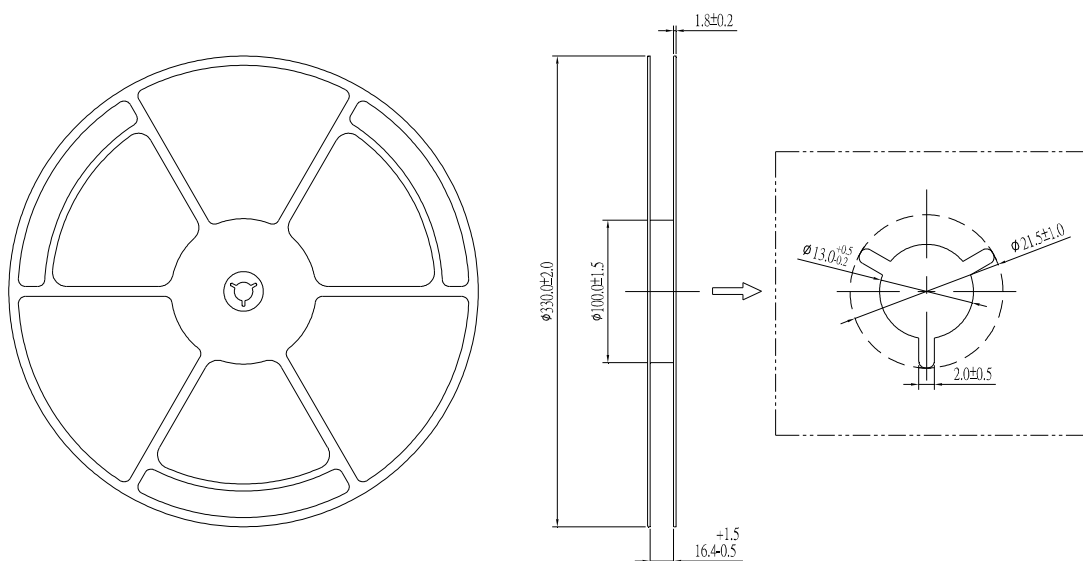
**6. Packing Specification**

**Packing Carrier Dimensions**



1. 10 sprocket hole pitch cumulative tolerance  $\pm 0.20$
2. Material : Black Conductive Polystyrene Alloy
3. Thickness :  $0.40 \pm 0.06$  mm
4. Component load per 13" reel : 1,400pcs

**Packing Reel Dimensions**



**SMT CBI**  
**LTL-M11KR1H300U**

**Carton Specification**

1 Reel with 1 Humidity indicator card and 1 Desiccant are packed in 1 Moisture Barrier Bag (MBB)

3 Moisture Barrier Bags packed in 1 Inner Carton

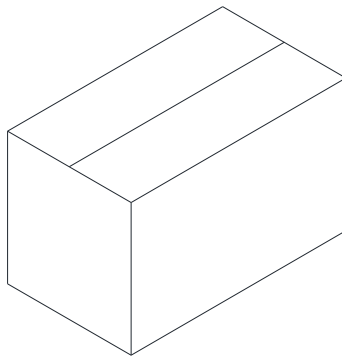
Total 4,200pcs (1,400pcs \* 3) per Inner Carton



INNER CARTON  
361 x 358 x 75 mm

10 Inner Cartons per Outer Carton

Total 42,000pcs (4,200pcs\*10) per Outer Carton



OUTER CARTON  
740 x 390 x 395 mm

## 7. CAUTIONS

### 7.1. Application

The LEDs described here are intended to be used for ordinary electronic equipment (such as office equipment, communication equipment and household applications)

### 7.2. Storage

The package is sealed:

The LEDs should be stored at 30°C or less and 70%RH or less. And the LEDs are limited to use within one year, while the LEDs is packed in moisture-proof package with the desiccants inside.

The package is opened:

The storage ambient for the LEDs should not exceed 30°C temperature and 60% relative humidity.

It is recommended that LEDs out of their original packaging are IR-reflowed within 168hrs.

For extended storage out of their original packaging, it is recommended that the LEDs be stored in a sealed container with appropriate desiccant, or in a desiccators with nitrogen ambient.

LEDs stored out of their original packaging for more than 168hrs should be baked at about 60 deg C for at least 48 hours before solder assembly.

### 7.3. Cleaning

Use alcohol-based cleaning solvents such as isopropyl alcohol to clean the LEDs if necessary.

### 7.4. Lead Forming & Assembly

During assembly on PCB, use minimum clinch force possible to avoid excessive mechanical stress.

### 7.5. Soldering

Do not apply any external stress to the lead frame during soldering while the LED is at high temperature.

#### Recommended soldering conditions:

Soldering iron		Reflow soldering	
Temperature	350°C Max.	Pre-heat	150~200°C
Soldering time	3 seconds Max. (one time only)	Pre-heat time	120 seconds Max.
		Solder wave	260°C Max.
		Soldering time (two times Max.)	5 seconds Max.

Note: Because different board designs use different number and types of devices, solder pastes, reflow ovens, and circuit boards, no single temperature profile works for all possible combinations. However, you can successfully mount your packages to the PCB by following the proper guidelines and PCB-specific characterization.

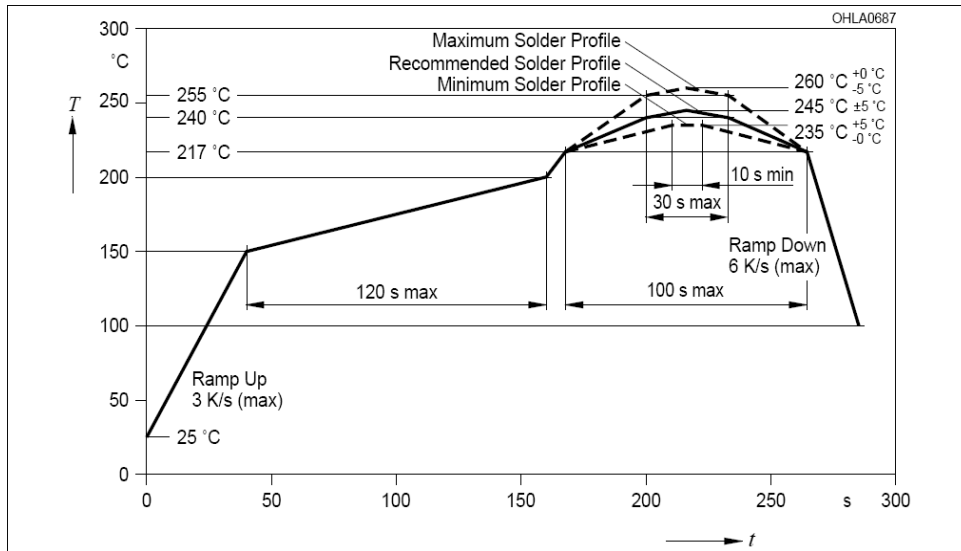
Figure (page 8) shows a sample temperature profile compliant to JEDEC standards. You can use this example as a generic target to set up your reflow process.

You should adhere to the JEDEC profile limits as well as specifications and recommendations from the solder paste manufacturer to avoid damaging the device and create a reliable solder joint.



## SMT CBI LTL-M11KR1H300U

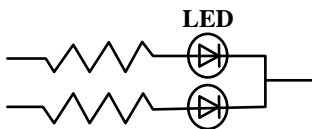
Reflow process shall be less than 2 times, profile as below for reference.



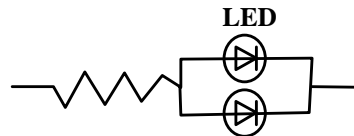
### 7.6. Drive Method

An LED is a current-operated device. In order to ensure intensity uniformity on multiple LEDs connected in parallel in an application, it is recommended that a current limiting resistor be incorporated in the drive circuit, in series with each LED as shown in Circuit A below.

**Circuit model (A)**



**Circuit model (B)**



(A) Recommended circuit

(B) The brightness of each LED might appear different due to the differences in the I-V characteristics of those LEDs.

### 7.7. ESD (Electrostatic Discharge)

#### Static Electricity or power surge will damage the LED.

##### Suggestions to prevent ESD damage:

- Use a conductive wrist band or anti- electrostatic glove when handling these LEDs
- All devices, equipment, and machinery must be properly grounded
- Work tables, storage racks, etc. should be properly grounded
- Use ion blower to neutralize the static charge which might have built up on surface of the LEDs plastic lens as a result of friction between LEDs during storage and handing

##### Suggested checking list:

##### Training and Certification

- 7.7.1.1. Everyone working in a static-safe area is ESD-certified?
- 7.7.1.2. Training records kept and re-certification dates monitored?

##### Static-Safe Workstation & Work Areas

- 7.7.2.1. Static-safe workstation or work-areas have ESD signs?
- 7.7.2.2. All surfaces and objects at all static-safe workstation and within 1 ft measure less than 100V?
- 7.7.2.3. All ionizer activated, positioned towards the units?
- 7.7.2.4. Each work surface mats grounding is good?

##### Personnel Grounding

- 7.7.3.1. Every person (including visitors) handling ESD sensitive (ESDS) items wear wrist strap, heel strap or conductive shoes with conductive flooring?
- 7.7.3.1. If conductive footwear used, conductive flooring also present where operator stand or walk?
- 7.7.3.2. Garments, hairs or anything closer than 1 ft to ESD items measure less than 100V\*?
- 7.7.3.3. Every wrist strap or heel strap/conductive shoes checked daily and result recorded for all DLs?
- 7.7.3.4. All wrist strap or heel strap checkers calibration up to date?  
Note: \*50V for Blue LED.

##### Device Handling

- 7.7.4.1. Every ESDS items identified by EIA-471 labels on item or packaging?
- 7.7.4.2. All ESDS items completely inside properly closed static-shielding containers when not at static-safe workstation?
- 7.7.4.3. No static charge generators (e.g. plastics) inside shielding containers with ESDS items?
- 7.7.4.4. All flexible conductive and dissipative package materials inspected before reuse or recycle?

##### Others

- 7.7.5.1. Audit result reported to entity ESD control coordinator?
- 7.7.5.2. Corrective action from previous audits completed?
- 7.7.5.3. Are audit records complete and on file?

## 8. Others

The appearance and specifications of the product may be modified for improvement, without prior notice.