



**SMD LED**  
**Product Data Sheet**  
LTST-C28NBEGW-PX

Spec No. :DS22-2019-0242  
Effective Date: 07/01/2020  
Revision: A

**LITE-ON DCC**

**RELEASE**

**BNS-OD-FC001/A4**

## SMD LED LTST-C28NBEGW-PX

### 1. Description

SMD LED lamps from Lite-On are available in miniature sizes and special configurations for automated PC board assembly and space-sensitive applications. These SMD LED lamps are suitable for use in a wide variety of electronic equipment, including cordless and cellular phones, notebook computers, network systems, home appliances, and indoor signboard applications.

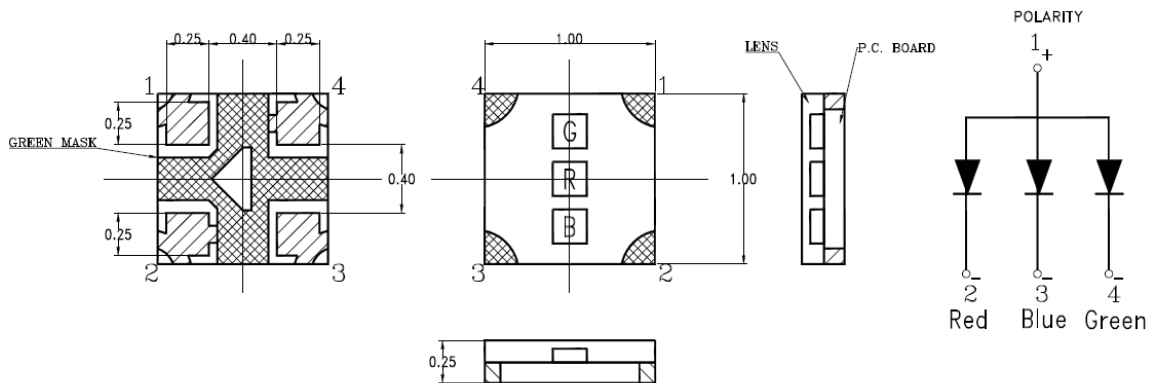
#### 1.1 Features

- Meet ROHS.
- Extra Thin (0.25Hmm) Full Color SMD Chip LED
- Ultra Bright InGaN / AllnGaP Chip LED.
- Package in 8mm tape on 7" diameter reels.
- EIA STD Package.
- I.C. Compatible.
- Compatible with Automatic Placement Equipment.
- Compatible with Infrared Reflow Solder Process.

#### 1.2 Applications

- Telecommunication, Office automation, home appliances, industrial equipment
- Keypad/Keyboard Backlighting
- Status indicator
- Microdisplays
- Signal and Symbol Luminary

### 2. Package Dimensions



Part No.	Lens Color	Source Color	Pin Assignment
LTST-C28NBEGW-PX	White Diffused	AllnGaP Red	1,2
		InGaN Blue	1,3
		InGaN Green	1,4

#### Notes:

1. All dimensions are in millimeters.
2. Tolerance is  $\pm 0.1$  mm (.004") unless otherwise noted.

**SMD LED  
LTST-C28NBEGW-PX**

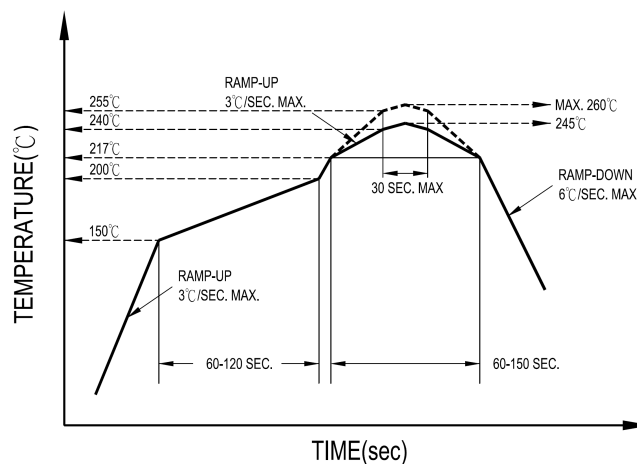
**3. Rating and Characteristics**

**3.1 Absolute Maximum Ratings at Ta=25°C**

Parameter	LTST-C28NBEGW-PX			Unit
	Blue	Red	Green	
Power Dissipation	38	50	38	mW
Peak Forward Current (1/10 Duty Cycle, 0.1ms Pulse Width)	40	40	40	mA
DC Forward Current	10	20	10	mA
Electrostatic Discharge Threshold (HBM) <sup>Note A</sup>	1000	2000	1000	V
Operating Temperature Range	-20 °C to + 80 °C			
Storage Temperature Range	-30 °C to + 85 °C			
Infrared Soldering Condition	260°C For 10 Seconds			

Note A : HBM : Human Body Model.

**3.2 Suggest IR Reflow Condition For Pb Free Process:**



## SMD LED LTST-C28NBEGW-PX

### 3.3 Electrical / Optical Characteristics at Ta=25°C

Parameter	Symbol		LTST-C28NBEGW-PX			Unit	Test Condition
			Blue	Red	Green		
Luminous Intensity	IV	MIN.	180.0			mcd	IF : Blue=2mA, Red=2mA, Green=2mA, Note 1
		TYP.	-				
		MAX.	355.0				
Viewing Angle	2θ <sub>1/2</sub>	TYP.	120			deg	Fig.5
Peak Emission Wavelength	λ <sub>P</sub>	TYP.	465	632	518	nm	Measurement @Peak (Fig.1)
Dominant Wavelength	λ <sub>d</sub>	MIN.	465	618	524	nm	IF : Blue=2mA, Red=2mA, Green=2mA, Note 3
		TYP.	-	-	-		
		MAX.	475	628	534		
Spectral Line Half-Width	Δλ	TYP.	25	20	35	nm	
Forward Voltage	VF	MIN.	2.2	1.3	2.3	V	IF : Blue=2mA, Red=2mA, Green=2mA,
		MAX.	3.0	2.3	3.1		
Reverse Current	IR	MAX	10	10	10	μA	VR = 5V Note 5

#### Notes:

1. Luminous intensity is measured with a light sensor and filter combination that approximates the CIE eye-response curve.
2. Iv classification code is marked on each packing bag.
3. The chromaticity coordinates (x, y) is derived from the 1931 CIE chromaticity diagram.
4. Caution in ESD:  
Static Electricity and surge damages the LED. It is recommend to use a wrist band or anti-electrostatic glove when handling the LED. All devices, equipment and machinery must be properly grounded.
5. Reverse voltage (VR) condition is applied to IR test only. The device is not designed for reverse operation

**SMD LED  
LTST-C28NBEGW-PX**

**4. Bin Rank**

**4.1 Bin code list**

■ **IV Rank**

Luminous Intensity Unit: mcd @ IF : Green=2mA, Red=2mA, Blue=2mA		
Bin Code	Min.	Max.
S1	180.0	224.0
S2	224.0	280.0
T1	280.0	355.0

Tolerance on each Luminous Intensity bin is +/- 15%

■ **Hue Rank**

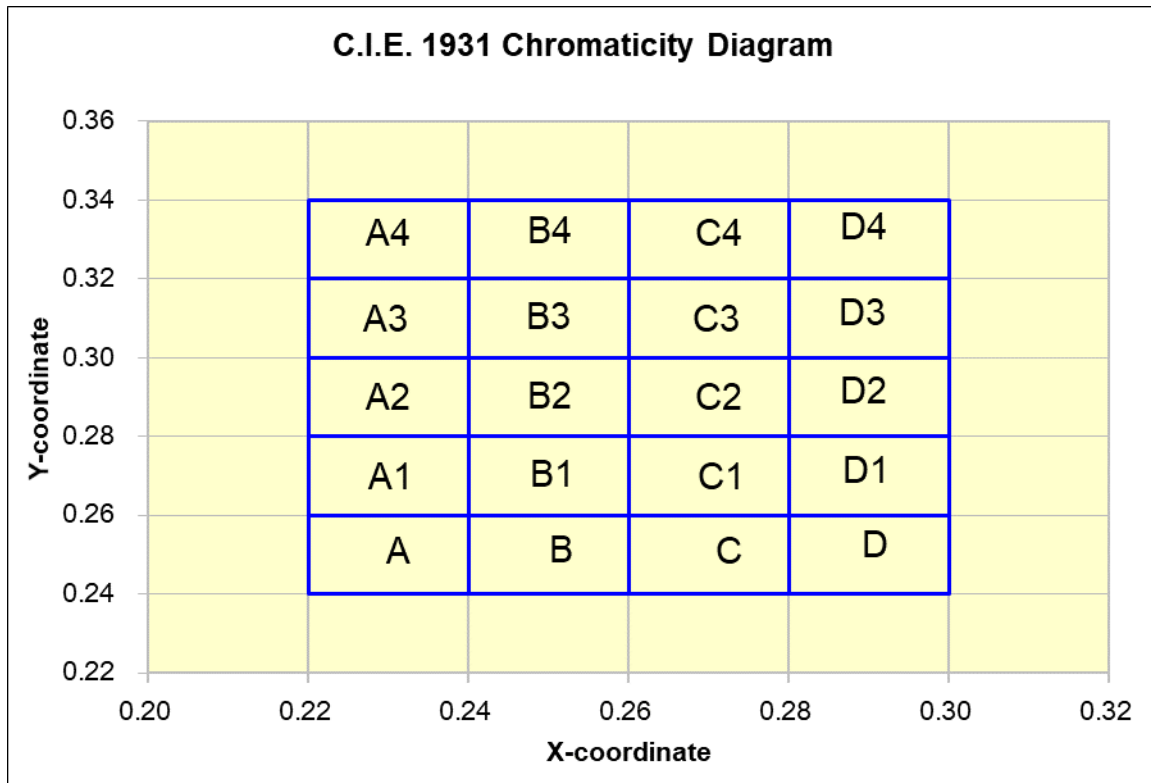
Color bin limits at IF : Green=2mA, Red=2mA, Blue=2mA					
Bin Code	CIE 1931 Chromaticity coordinates				
A	x	0.2200	0.2200	0.2400	0.2400
	y	0.2400	0.2600	0.2600	0.2400
A1	x	0.2200	0.2200	0.2400	0.2400
	y	0.2600	0.2800	0.2800	0.2600
A2	x	0.2200	0.2200	0.2400	0.2400
	y	0.2800	0.3000	0.3000	0.2800
A3	x	0.2200	0.2200	0.2400	0.2400
	y	0.3000	0.3200	0.3200	0.3000
A4	x	0.2200	0.2200	0.2400	0.2400
	y	0.3200	0.3400	0.3400	0.3200
B	x	0.2400	0.2400	0.2600	0.2600
	y	0.2400	0.2600	0.2600	0.2400

## SMD LED LTST-C28NBEGW-PX

Color bin limits at IF : Green=2mA, Red=2mA, Blue=2mA					
Bin Code	CIE 1931 Chromaticity coordinates				
B1	x	0.2400	0.2400	0.2600	0.2600
	y	0.2600	0.2800	0.2800	0.2600
B2	x	0.2400	0.2400	0.2600	0.2600
	y	0.2800	0.3000	0.3000	0.2800
B3	x	0.2400	0.2400	0.2600	0.2600
	y	0.3000	0.3200	0.3200	0.3000
B4	x	0.2400	0.2400	0.2600	0.2600
	y	0.3200	0.3400	0.3400	0.3200
C	x	0.2600	0.2600	0.2800	0.2800
	y	0.2400	0.2600	0.2600	0.2400
C1	x	0.2600	0.2600	0.2800	0.2800
	y	0.2600	0.2800	0.2800	0.2600
C2	x	0.2600	0.2600	0.2800	0.2800
	y	0.2800	0.3000	0.3000	0.2800
C3	x	0.2600	0.2600	0.2800	0.2800
	y	0.3000	0.3200	0.3200	0.3000
C4	x	0.2600	0.2600	0.2800	0.2800
	y	0.3200	0.3400	0.3400	0.3200
D	x	0.2800	0.2800	0.3000	0.3000
	y	0.2400	0.2600	0.2600	0.2400
D1	x	0.2800	0.2800	0.3000	0.3000
	y	0.2600	0.2800	0.2800	0.2600
D2	x	0.2800	0.2800	0.3000	0.3000
	y	0.2800	0.3000	0.3000	0.2800
D3	x	0.2800	0.2800	0.3000	0.3000
	y	0.3000	0.3200	0.3200	0.3000
D4	x	0.2800	0.2800	0.3000	0.3000
	y	0.3200	0.3400	0.3400	0.3200

Tolerance on each Hue (x, y) bin is +/- 0.01

**SMD LED  
LTST-C28NBEGW-PX**



**SMD LED  
LTST-C28NBEGW-PX**

**5. Typical Electrical / Optical Characteristics Curves.**

(25°C Ambient Temperature Unless Otherwise Noted)

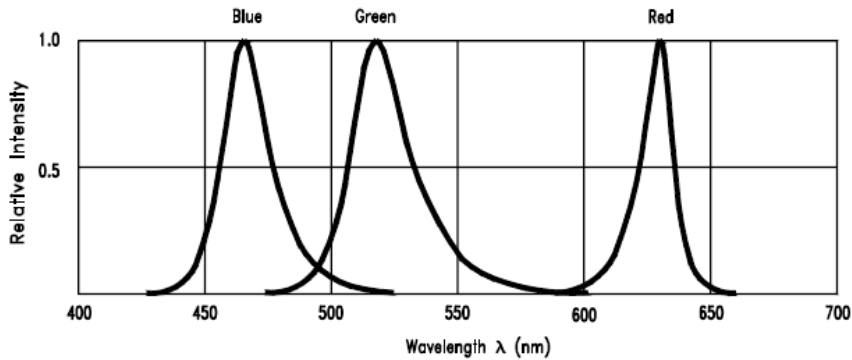


Fig.1 Relative Intensity vs. Wavelength

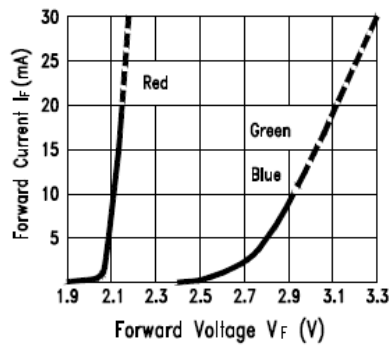


Fig.2 Forward Current vs. Forward Voltage

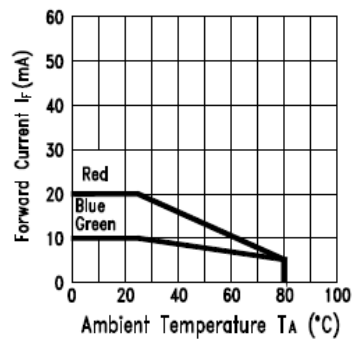


Fig.3 Forward Current Derating Curve

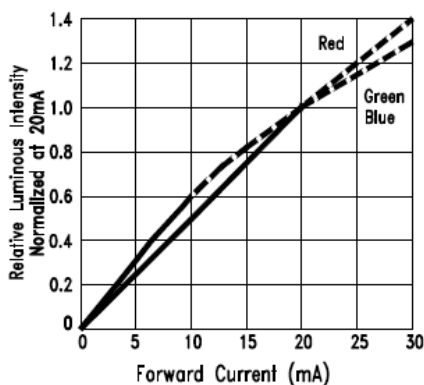


Fig.4 Relative Luminous Intensity vs. Forward Current

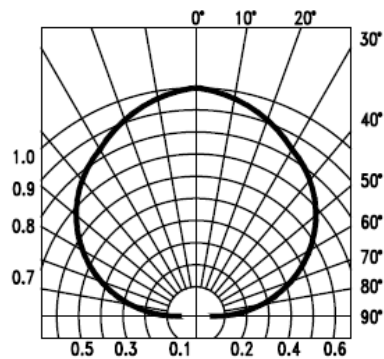


Fig.5 Spatial Distribution



## SMD LED LTST-C28NBEGW-PX

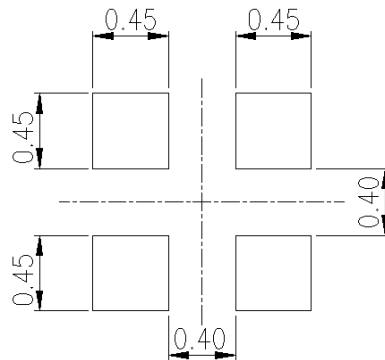
### 6. User Guide

#### 6.1 Cleaning

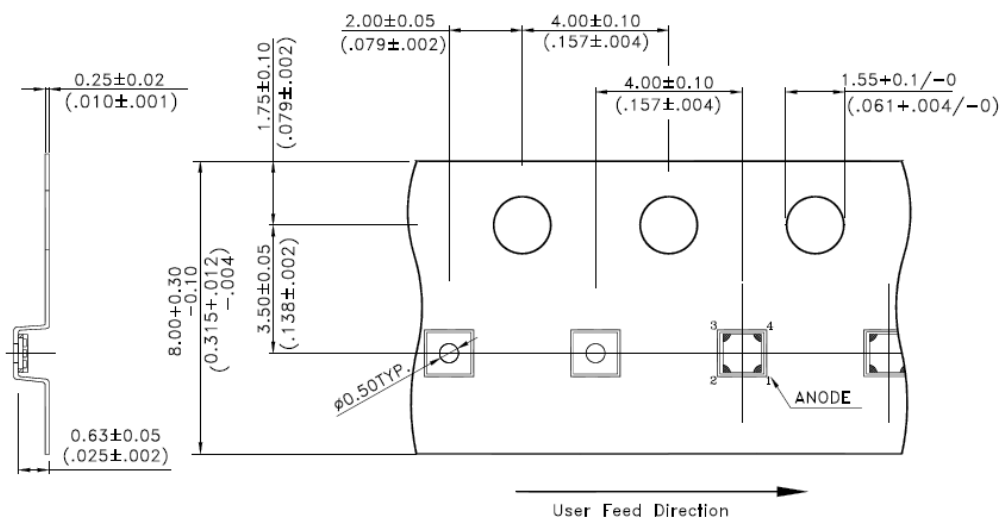
Do not use unspecified chemical liquid to clean LED they could harm the package.

If clean is necessary, immerse the LED in ethyl alcohol or in isopropyl alcohol at normal temperature for less one minute.

#### 6.2 Recommend Printed Circuit Board Attachment Pad



#### 6.3 Package Dimensions Of Tape And Reel

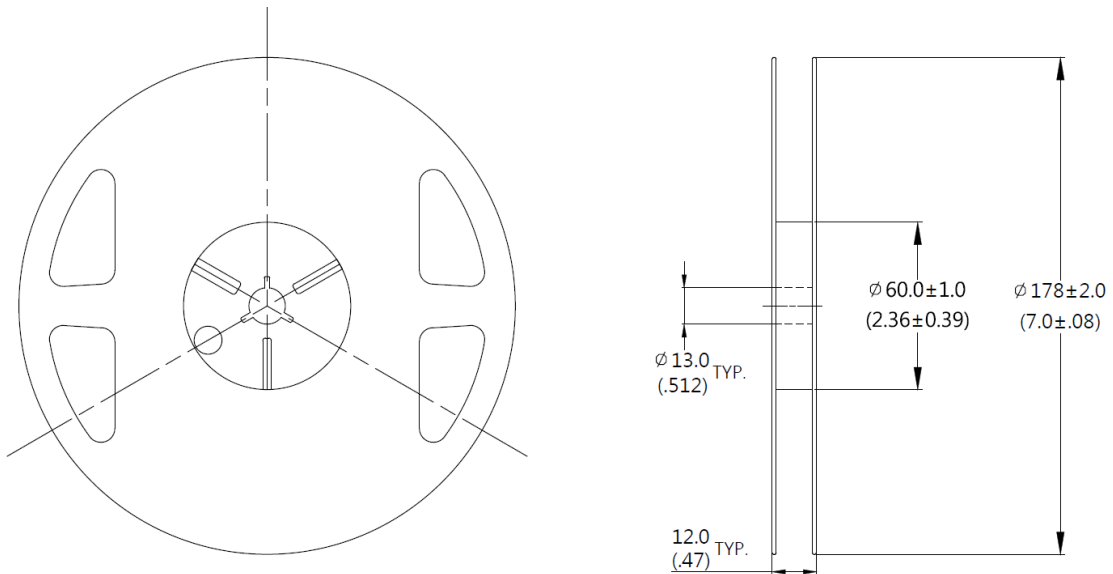


#### Note:

1. All dimensions are in millimeters (inches).

**SMD LED  
LTST-C28NBEGW-PX**

6.4 Package Dimensions of Reel



**Notes:**

1. Empty component pockets sealed with top cover tape.
2. 7 inch reel-3000 pieces per reel.
3. Minimum packing quantity is 500 pieces for remainders.
4. The maximum number of consecutive missing lamps is two.
5. In accordance with ANSI/EIA 481 specifications.

# SMD LED LTST-C28NBEGW-PX

## 7. Cautions

### 7.1 Application

The LEDs described here are intended to be used for ordinary electronic equipment (such as office equipment, communication equipment and household applications). Consult Liteon's Sales in advance for information on applications in which exceptional reliability is required, particularly when the failure or malfunction of the LEDs may directly jeopardize life or health (such as in aviation, transportation, traffic control equipment, medical and life support systems and safety devices).

### 7.2 Storage

The package is sealed:

The LEDs should be stored at 30°C or less and 90%RH or less. And the LEDs are limited to use within one year, while the LEDs is packed in moisture-proof package with the desiccants inside.

The package is opened:

The storage ambient for the LEDs should not exceed 30°C temperature or 60% relative humidity.

It is recommended that LEDs out of their original packaging are IR-reflowed within one week. (MSL 3).

For extended storage out of their original packaging, it is recommended that the LEDs be stored in a sealed container with appropriate desiccant, or in a desiccators with nitrogen ambient.

LEDs stored out of their original packaging for more than one week should be baked at about 60 deg C for at least 20 hours before solder assembly.

### 7.3 Cleaning

Use alcohol-based cleaning solvents such as isopropyl alcohol to clean the LED if necessary.

### 7.4 Soldering

Recommended soldering conditions:

Reflow soldering		Soldering iron	
Pre-heat	150~200°C	Temperature	300°C Max.
Pre-heat time	120 sec. Max.	Soldering time	3 sec. Max. (one time only)
Peak temperature	260°C Max.		
Soldering time	10 sec. Max.(Max. two times)		

#### Notes:

Because different board designs use different number and types of devices, solder pastes, reflow ovens, and circuit boards, no single temperature profile works for all possible combinations.

However, you can successfully mount your packages to the PCB by following the proper guidelines and PCB-specific characterization.

LITE-ON Runs both component-level verification using in-house **KYRAMX98** reflow chambers and board-level assembly. The results of this testing are verified through post-reflow reliability testing. Profiles used at LITE-ON are based on JEDEC standards to ensure that all packages can be successfully and reliably surface mounted.

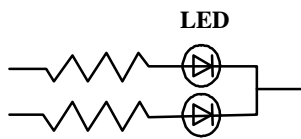
Figure on page3 shows a sample temperature profile compliant to JEDEC standards. You can use this example as a generic target to set up your reflow process. You should adhere to the JEDEC profile limits as well as specifications and recommendations from the solder paste manufacturer to avoid damaging the device and create a reliable solder joint.

## SMD LED LTST-C28NBEGW-PX

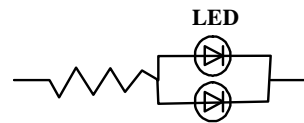
### 7.5 Drive Method

A LED is a current-operated device. In order to ensure intensity uniformity on multiple LEDs connected in parallel in an application, it is recommended that a current limiting resistor be incorporated in the drive circuit, in series with each LED as shown in Circuit A below.

**Circuit model A**



**Circuit model B**



(A) Recommended circuit.

(B) The brightness of each LED might appear different due to the differences in the I-V characteristics of those LEDs.

### 7.6 ESD (Electrostatic Discharge)

Static Electricity or power surge will damage the LED.

Suggestions to prevent ESD damage:

- Use of a conductive wrist band or anti-electrostatic glove when handling these LEDs.
- All devices, equipment, and machinery must be properly grounded.
- Work tables, storage racks, etc. should be properly grounded.
- Use ion blower to neutralize the static charge which might have built up on surface of the LED's plastic lens as a result of friction between LEDs during storage and handling.

ESD-damaged LEDs will exhibit abnormal characteristics such as high reverse leakage current, low forward voltage, or "no lightup" at low currents.

To verify for ESD damage, check for "lightup" and  $V_f$  of the suspect LEDs at low currents.

The  $V_f$  of "good" LEDs should be  $>2.0V@0.1mA$  for InGaN product and  $>1.4V@0.1mA$  for AlInGaP product.

## SMD LED LTST-C28NBEGW-PX

### 8. Reliability Test

Classification	Test Item	Test Condition	Reference Standard
Endurance Test	Operation Life	Ta= Under Room Temperature As Per Data Sheet Maximum Rating *Test Time= 1000HRS (-24HRS,+72HRS)	MIL-STD-750D:1026 MIL-STD-883D:1005 JIS C 7021:B-1
	High Temperature High Humidity Storage	IR-Reflow In-Board, 2 Times Ta= 65±5°C,RH= 90~95% *Test Time= 240HRS±2HRS	MIL-STD-202F:103B JIS C 7021:B-11
	High Temperature Storage	Ta= 105±5 °C *Test Time= 1000HRS (-24HRS,+72HRS)	MIL-STD-883D:1008 JIS 7021:B-10
	Low Temperature Storage	Ta= -55±5 °C *Test Time=1000HRS (-24HRS,+72HRS)	JIS C 7021:B-12
Environmental Test	Temperature Cycling	105 °C ~ 25 °C ~ -55 °C ~ 25 °C 30mins 5mins 30mins 5mins 10 Cycles	MIL-STD-202F:107D MIL-STD-750D:1051 MIL-STD-883D:1010 JIS C 7021:A-4
	Thermal Shock	IR-Reflow In-Board, 2 Times 85 ± 5 °C ~ -40 °C ± 5 °C 10 mins 10 mins 10 Cycles	MIL-STD-202F:107D MIL-STD-750D:1051 MIL-STD-883D:1011
	Solder Resistance	T.sol= 260 ± 5 °C Dwell Time=10 ± 1secs	MIL-STD-202F:210A MIL-STD-750D:2031 JIS C 7021:A-1
	IR-Reflow	Ramp-up rate(217 °C to Peak) +3 °C / second max Temp. maintain at 175(±25) °C 180 seconds max Temp. maintain above 217 °C 60-150 seconds Peak temperature range 260 °C +0/-5 °C Time within 5°C of actual Peak Temperature (tp) 10-30 seconds Ramp-down rate +6 °C /second max	MIL-STD-750D:2031.2 J-STD-020D
	Solder Ability	T.sol= 235 ± 5 °C Immersion time 2±0.5 sec Immersion rate 25±2.5 mm/sec Coverage ≥ 95% of the dipped surface	MIL-STD-202F:208D MIL-STD-750D:2026 MIL-STD-883D:2003 IEC 68 Part 2-20 JIS C 7021:A-2

## SMD LED LTST-C28NBEGW-PX

### 9. Others

The appearance and specifications of the product may be modified for improvement without prior notice.

### 10. Suggested Checking List

#### Training and Certification

1. Everyone working in a static-safe area is ESD-certified?
2. Training records kept and re-certification dates monitored?

#### Static-Safe Workstation & Work Areas

1. Static-safe workstation or work-areas have ESD signs?
2. All surfaces and objects at all static-safe workstation and within 1 ft measure less than 100V?
3. All ionizer activated, positioned towards the units?
4. Each work surface mats grounding is good?

#### Personnel Grounding

1. Every person (including visitors) handling ESD sensitive (ESDS) items wears wrist strap, heel strap or conductive shoes with conductive flooring?
2. If conductive footwear used, conductive flooring also present where operator stand or walk?
3. Garments, hairs or anything closer than 1 ft to ESD items measure less than 100V\*?
4. Every wrist strap or heel strap/conductive shoes checked daily and result recorded for all DLs?
5. All wrist strap or heel strap checkers calibration up to date?

Note: \*50V for InGaN LED.

#### Device Handling

1. Every ESDS items identified by EIA-471 labels on item or packaging?
2. All ESDS items completely inside properly closed static-shielding containers when not at static-safe workstation?
3. No static charge generators (e.g. plastics) inside shielding containers with ESDS items?
4. All flexible conductive and dissipative package materials inspected before reuse or recycles?

#### Others

1. Audit result reported to entity ESD control coordinator?
2. Corrective action from previous audits completed?
3. Are audit records complete and on file?