



LED Display Product Data Sheet LTD-2601JG-J

Spec No.: DS30-2012-0016

Effective Date: 07/31/2012

Revision: -

LITE-ON DCC

RELEASE

BNS-OD-FC001/A4

LITEON LITE-ON TECHNOLOGY CORPORATION

Property of Lite-On Only

LED DISPLAY

LTD-2601JG-J DATA SHEET

Rev	Description	By
01	RDR Original Spec	Phanomkorn J. August 06, 2010
-	NPPR Original Spec Same as rev.01	Meechana P. January 31, 2012

LITEON LITE-ON TECHNOLOGY CORPORATION
Property of Lite-On Only

LED DISPLAY

LTD-2601JG-J
DATA SHEET

Rev	Description	By
01	RDR Original Spec	Phanomkorn J. August 06, 2010

SPEC NO.: _____
DATE: August 06, 2010
REV. NO.: 01
PAGE NO.: 0 OF 6
CUSTOMER APPROVAL: _____
DATE: _____

OK!
Lite-On
Japan
S. Shiroguchi
2012-Jan-31

PART NO.: LTD-2601JG-J PAGE: 0 of 6
BNS-OD-C131/A4

SPEC NO. : DS30-2012-0016

DATE : January 31,2012

REV. NO. : -

PAGE NO. : 0 OF 6

PART NO.: LTD-2601JG-J

PAGE: 0 of 6

LITEON LITE-ON TECHNOLOGY CORPORATION

Property of Lite-On Only

FEATURES

- * 0.28 inch (7 mm) DIGIT HEIGHT.
- * CONTINUOUS UNIFORM SEGMENTS.
- * LOW POWER REQUIREMENT.
- * EXCELLENT CHARACTERS APPEARANCE.
- * HIGH BRIGHTNESS & HIGH CONTRAST.
- * WIDE VIEWING ANGLE.
- * SOLID STATE RELIABILITY.
- * CATEGORIZED FOR LUMINOUS INTENSITY.
- * LEAD-FREE PACKAGE (ACCORDING TO ROHS)

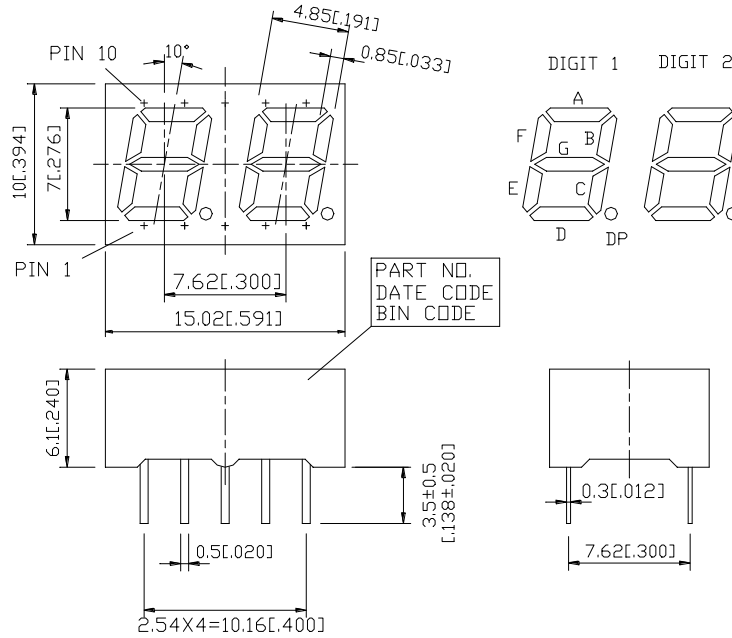
DESCRIPTION

The LTD-2601JG-J is a 0.28 inch (7 mm) digit height dual digit seven-segment display. This device utilizes AlInGaP Green LED chips, which are made from AlInGaP on a non-transparent GaAs substrate, and has a gray face and white segments.

DEVICE

PART NO.	DESCRIPTION
AlInGaP Green	Duplex Common Anode
LTD-2601JG-J	Rt. Hand Decimal

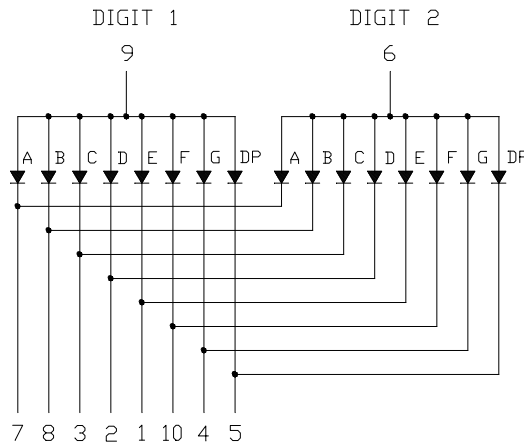
PACKAGE DIMENSIONS



NOTES: 1. All dimensions are in millimeters. Tolerances are ± 0.25 mm (0.01") unless otherwise noted.

2. Pin tip's shift tolerance is ± 0.4 mm.
3. Foreign material on segment $\cong 10$ mils
4. Ink contamination (surface) $\cong 20$ mils
5. Bending $\cong 1/100$
6. Bubble in segment $\cong 10$ mils

INTERNAL CIRCUIT DIAGRAM



PIN CONNECTION

NO.	CONNECTION
1	CATHODE E
2	CATHODE D
3	CATHODE C
4	CATHODE G
5	CATHODE D.P.
6	COMMON ANODE (DIGIT 2)
7	CATHODE A
8	CATHODE B
9	COMMON ANODE (DIGIT 1)
10	CATHODE F

LITEON LITE-ON TECHNOLOGY CORPORATION

Property of Lite-On Only

ABSOLUTE MAXIMUM RATING AT Ta=25°C

PARAMETER	MAXIMUM RATING	UNIT
Power Dissipation Per Segment	70	mW
Peak Forward Current Per Segment	60	mA
Continuous Forward Current Per Segment	25	mA
Derating Linear From 25°C Per Segment	0.28	mA/°C
Reverse Voltage Per Segment	5	V
Operating Temperature Range	-35°C to +105°C	
Storage Temperature Range	-35°C to +105°C	

Soldering Conditions: 1/16 inch below seating plane for 3 seconds at 260°C
or of temperature unit (during assembly) not over max. temperature rating above.

ELECTRICAL / OPTICAL CHARACTERISTICS AT Ta=25°C

PARAMETER	SYMBOL	MIN.	TYP.	MAX.	UNIT	TEST CONDITION
Average Luminous Intensity	I _v	200	540		μcd	I _F =1mA
Peak Emission Wavelength	λ _p		571		nm	I _F =20mA
Spectral Line Half-Width	Δλ		15		nm	I _F =20mA
Dominant Wavelength	λ _d		572		nm	I _F =20mA
Forward Voltage Per Segment	V _F		2.05	2.6	V	I _F =20mA
Reverse Current Per Segment	I _R			100	μA	V _R =5V
Luminous Intensity Matching Ratio (Similar Light Area)	I _{v-m}			2:1		I _F =1mA

Note: Luminous intensity is measured with a light sensor and filter combination that approximates the CIE (Commision Internationale De L'Eclairage) eye-response curve.

BIN TABLE

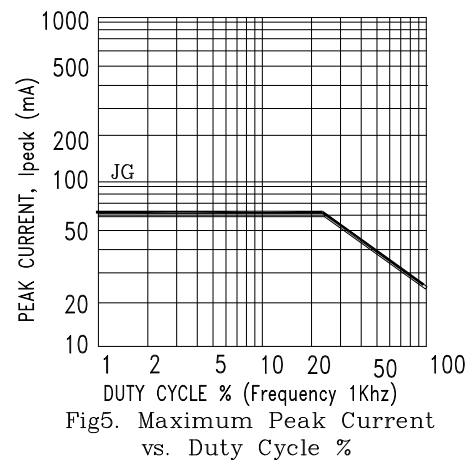
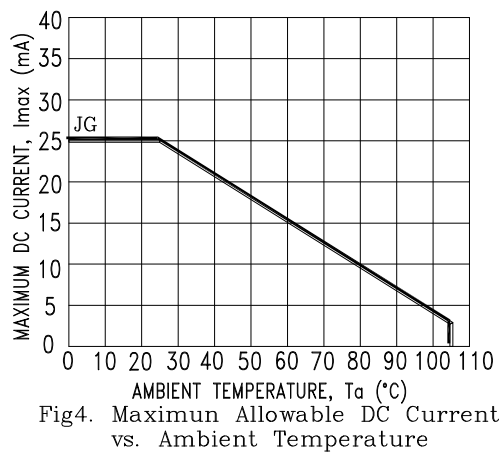
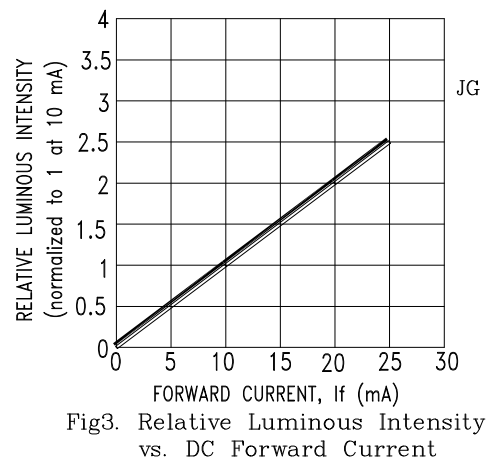
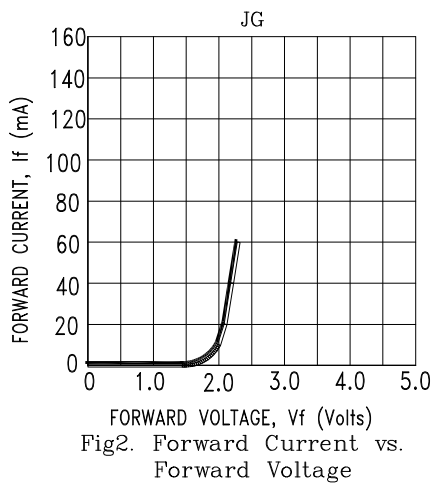
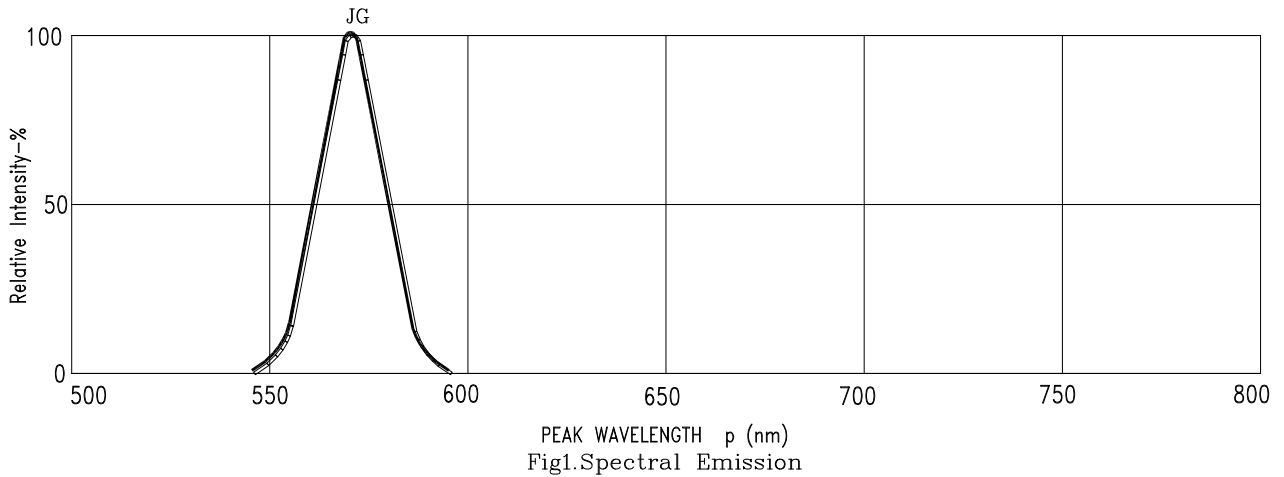
BIN TABLE 2 FOR LUMINOUS INTENSITY

BIN GRADE	E	F	G	H	J	K
RANGE(μcd)I _F =1mA	201-320	321-500	501-800	801-1300	1301-2100	2101-3400

The Luminous Intensity Tolerance ±15percentage

TYPICAL ELECTRICAL / OPTICAL CHARACTERISTIC CURVES

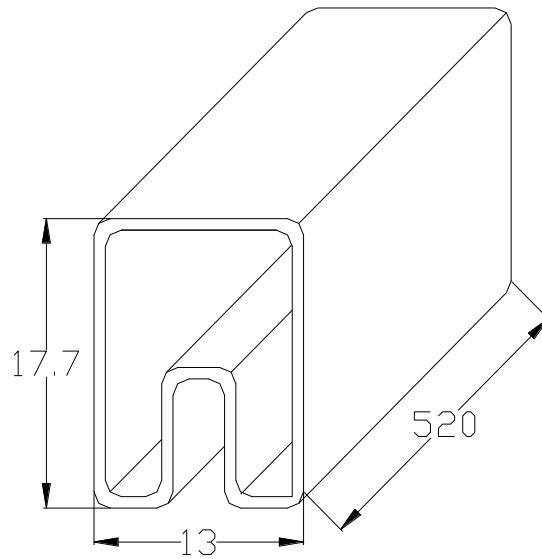
(25°C Ambient Temperature Unless Otherwise Noted)



NOTE : JG=AlInGaP Green

PACKING SPEC

Units / Tube 33



Tubes / Inner Carton: 90
Units / Inner Carton: 2970



Tubes / Outer Carton: 360
Units / Outer Carton: 11880

