



SMD LED

Product Data Sheet

LTSA-G6SPVSKT

Spec No.: DS35-2016-0078

Effective Date: 10/01/2016

Revision: -

LITE-ON DCC

RELEASE

BNS-OD-FC001/A4

SMD LED LTSA-G6SPVSKT

1. Description

SMD LEDs from Lite-On are available in miniature sizes and special configurations for automated PC board assembly and space-sensitive applications. These SMD LEDs are suitable for use in a wide variety of Automotive.

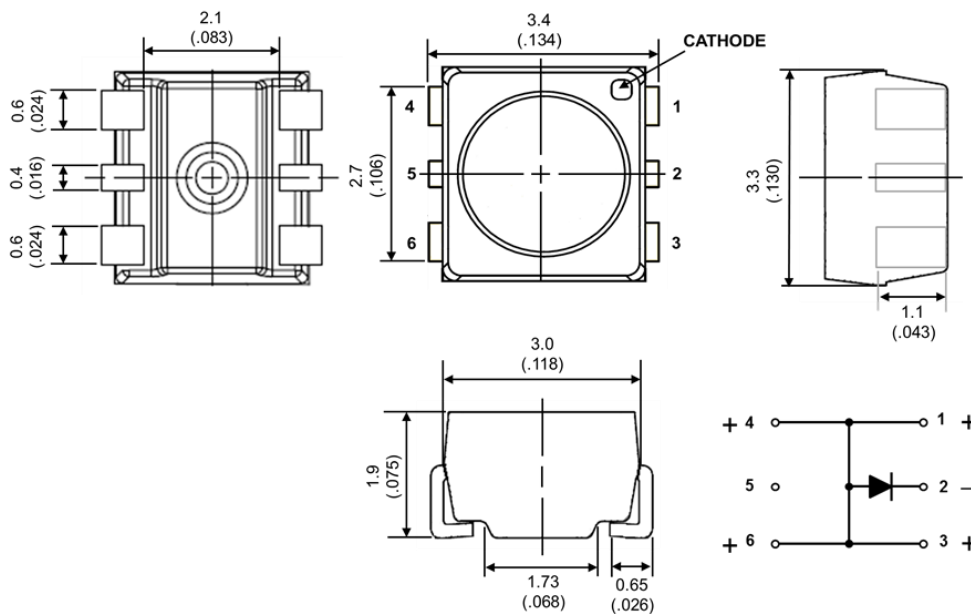
1.1 Features

- Meet ROHS
- Package in 8mm tape on 7" diameter reels
- Preconditioning: accelerate to JEDEC level 3
- EIA STD package
- I.C. compatible
- Compatible with automatic placement equipment
- Compatible with infrared reflow solder process

1.2 Applications

- Aftermarket: accessory applications,

2. Package Dimensions



Part No.	Lens Color	Source Color
LTSA-G6SPVSKT	Water clear	AllInGaP Yellow

Notes:

1. All dimensions are in millimeters.
2. Tolerance is ± 0.2 mm (.008") unless otherwise noted.
3. ANODE lead frame is heat sink of LED.

SMD LED LTSA-G6SPVSKT

3. Rating and Characteristics

3.1 Absolute Maximum Ratings at Ta=25°C

Parameter	LTSA-G6SPVSKT	Unit
Power Dissipation	530	mW
Peak Forward Current (1/10 Duty Cycle, 0.1ms Pulse Width)	1000	mA
DC Forward Current	200	mA
Operating Temperature Range	-40°C to +110°C	
Storage Temperature Range	-40°C to + 110°C	
Infrared Soldering Condition	260 °C For 10 Seconds	

3.2 Thermal Characteristics

Parameter	Symbol	TYP.	MAX.	Unit
Thermal Resistance (Junction – Ambient) ^{Note}	Rth JA	50	-	°C /W
Thermal Resistance (Junction – Solder Point) ^{Note}	Rth JS	30	-	°C /W
Junction Temperature	T _J	-	115	°C

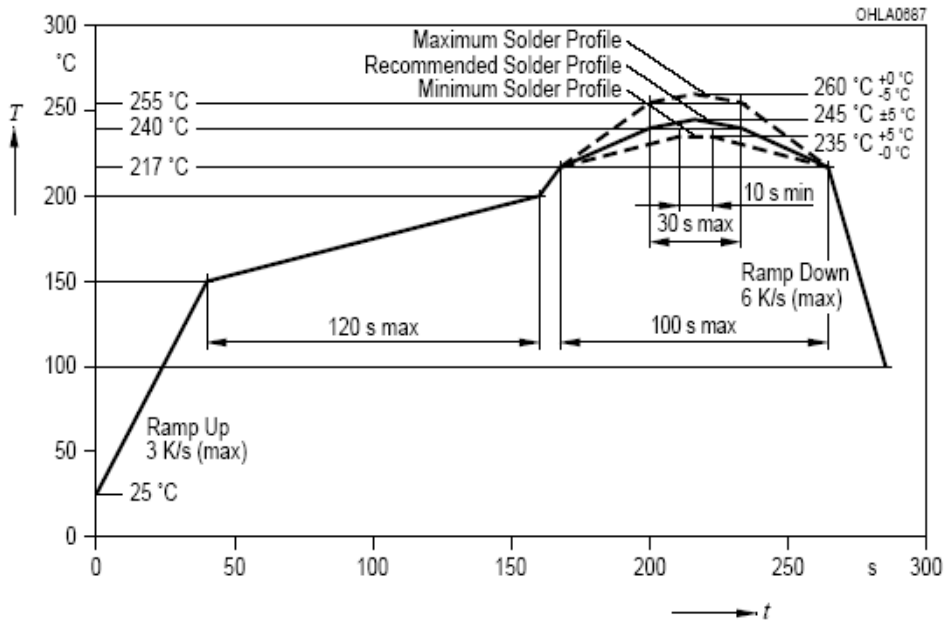
Note: Rth JA Measurement Condition

Substrate: FR4 (t=1.6mm) / Pattern Size: 16mm²

SMD LED LTSA-G6SPVSKT

3.3 Suggest IR Reflow Condition for Pb Free Process:

IR-Reflow Soldering Profile for lead free soldering (Acc. to J-STD-020)



SMD LED LTSA-G6SPVSKT

3.4 Electrical / Optical Characteristics at Ta=25°C

Parameter	Symbol	Part No. LTSA-	Min.	Typ.	Max.	Unit	Test Condition
Luminous Intensity	IV	G6SPVSKT	3.55	-	9.0	cd	IF = 140mA Note 1
Viewing Angle	2θ _{1/2}	G6SPVSKT	-	120	-	deg	Note 2 (Fig.5)
Peak Emission Wavelength	λ _P	G6SPVSKT	-	592	-	nm	Measurement @Peak (Fig.1)
Dominant Wavelength	λ _d	G6SPVSKT	583	-	595	nm	IF = 140mA Note 3
Spectral Line Half-Width	Δλ	G6SPVSKT	-	18	-	nm	
Forward Voltage	VF	G6SPVSKT	1.9	-	2.65	V	IF = 140mA Note 4
Reverse Current	IR	G6SPVSKT	-		10	μA	VR =5V Note 5

Notes:

- Luminous intensity is measured with a light sensor and filter combination that approximates the CIE eye-response curve
- θ_{1/2} is the off-axis angle at which the luminous intensity is half the axial luminous intensity.
- The dominant wavelength, λ_d is derived from the CIE chromaticity diagram and represents the single wavelength which defines the color of the device. Dominant Wavelength Tolerance is +/- 1nm.
- Forward Voltage Tolerance is +/- 0.1 volt.
- Reverse voltage (VR) condition is applied to IR test only. The device is not designed for reverse operation.

SMD LED LTSA-G6SPVSKT

4. Bin Rank

Batch Description on Label: Vf / Iv / Wd (Ex. G/DA/5)

Vf Rank

Forward Voltage (Vf)		Unit : V @140mA	
Bin Code	Min.	Max.	
C	1.90	2.05	
D	2.05	2.20	
E	2.20	2.35	
F	2.35	2.50	
G	2.50	2.65	

Tolerance on each Voltage bin is +/-0.1V

■ IV Rank

Luminous Intensity (Iv)		Unit : cd @140mA	
Bin Code	Min.	Max.	
CB	3.55	4.5	
DA	4.5	5.6	
DB	5.6	7.1	
EA	7.1	9.0	

Tolerance on each Intensity bin is +/-11%

■ Wd Rank

Dominant Wavelength (Wd)		Unit : nm @140mA	
Bin Code	Min.	Max.	
3	583	586	
4	586	589	
5	589	592	
6	592	595	

Tolerance for each Dominate Wavelength bin is +/- 1nm

5. Typical Electrical / Optical Characteristics Curves.

25°C Ambient Temperature Unless Special Noted)

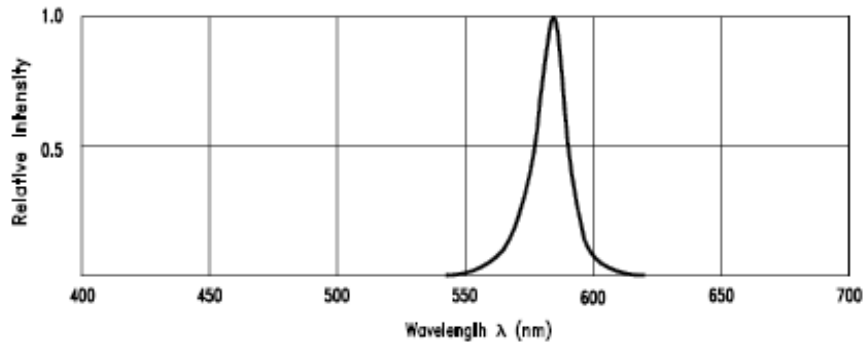


Fig.1 Relative Intensity vs. Wavelength

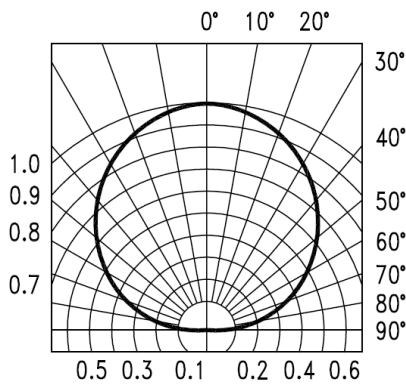


Fig. 2 SPATIAL DISTRIBUTION

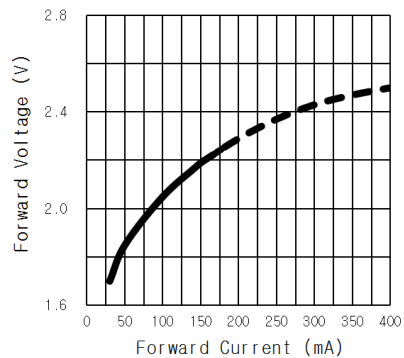


Fig. 3 FORWARD VOLTAGE V.S. FORWARD CURRENT

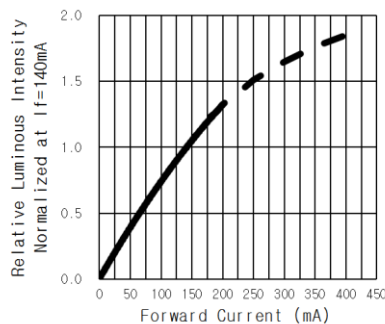


Fig. 4 RELATIVE LUMINOUS INTENSITY V.S. FORWARD CURRENT

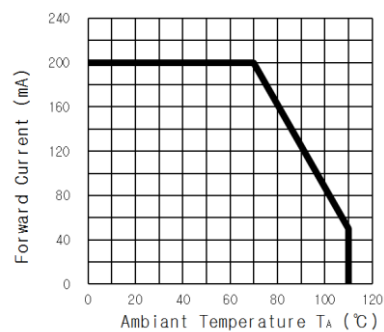


Fig.5 FORWARD CURRENT DERATING CURVE

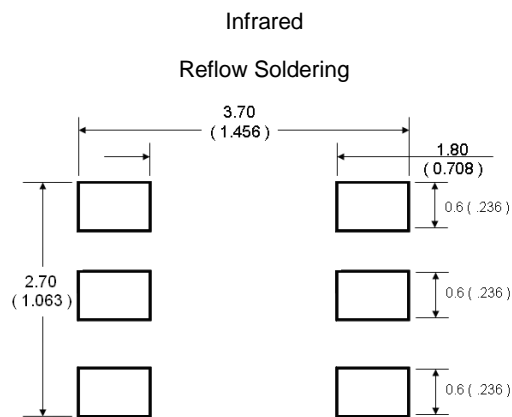
SMD LED LTSA-G6SPVSKT

6. User Guide

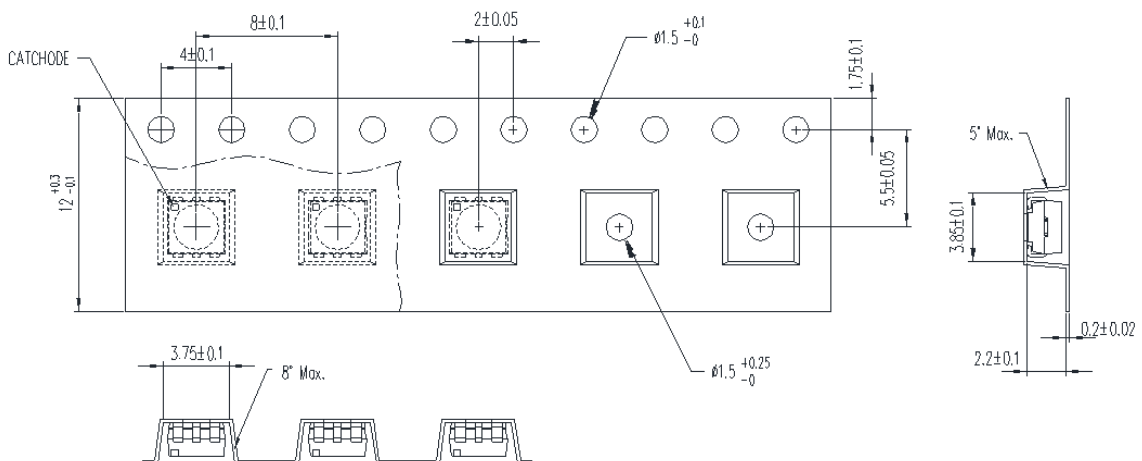
6.1 Cleaning

Do not use unspecified chemical liquid to clean LED they could harm the package. If cleaning is necessary, immerse the LED in ethyl alcohol or isopropyl alcohol at normal temperature for less than one minute.

6.2 Recommend Printed Circuit Board Attachment Pad



6.3 Package Dimensions of Tape And Reel

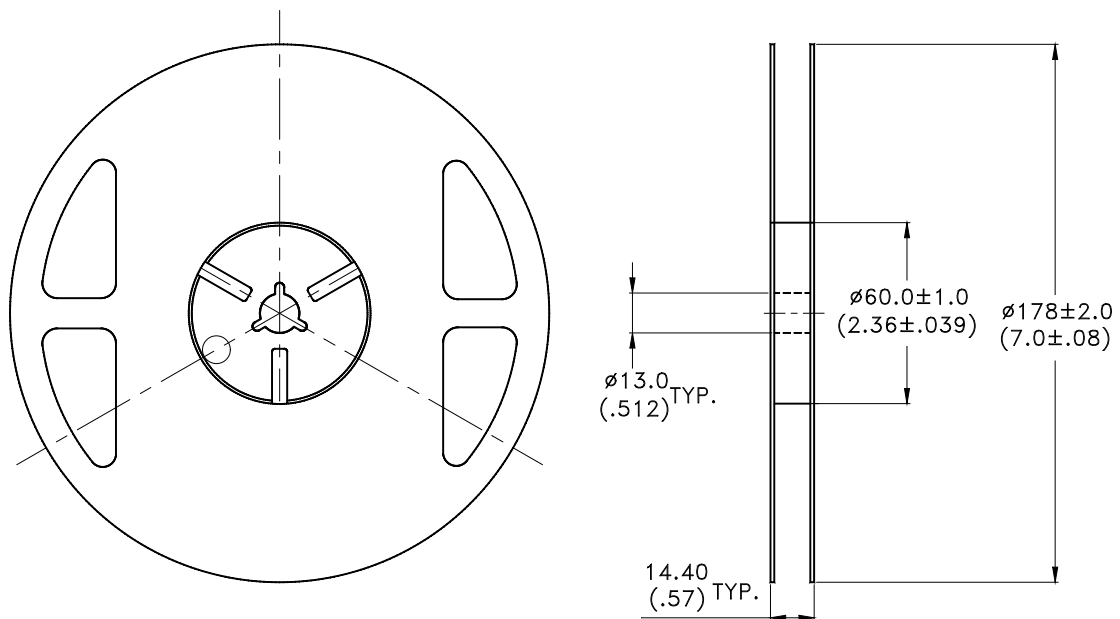


Note:

1. All dimensions are in millimeters.

SMD LED LTSA-G6SPVSKT

6.4 Package Dimensions of Reel



Notes:

1. Empty component pockets sealed with top cover tape.
2. 7 inch reel 1000 pieces per reel.
3. The maximum number of consecutive missing lamps is two.
4. In accordance with ANSI/EIA 481 specifications.

7. Cautions

7.1 Application

The LEDs described here are intended to be used for ordinary electronic equipment (such as office equipment, communication equipment and household applications). Consult Liteon's Sales in advance for information on applications in which exceptional reliability is required, particularly when the failure or malfunction of the LEDs may directly jeopardize life or health (such as in aviation, transportation, traffic control equipment, medical and life support systems and safety devices).

7.2 Storage

The package is sealed:

The LEDs should be stored at 30°C or less and 70%RH or less. And the LEDs are limited to use within one year, while the LEDs is packed in moisture-proof package with the desiccants inside.

The package is opened:

The storage ambient for the LEDs should not exceed 30°C temperature and 60% relative humidity.

It is recommended that LEDs out of their original packaging are IR-reflowed within 168hrs.

For extended storage out of their original packaging, it is recommended that the LEDs be stored in a sealed container with appropriate desiccant, or in a desiccators with nitrogen ambient.

LEDs stored out of their original packaging for more than 168hrs should be baked at about 60 °C for at least 48 hours before solder assembly.

7.3 Cleaning

Use alcohol-based cleaning solvents such as isopropyl alcohol to clean the LED if necessary.

7.4 Soldering

Recommended soldering conditions:

Reflow soldering		Soldering iron	
Pre-heat	150~200°C	Temperature	300°C Max.
Pre-heat time	120 sec. Max.	Soldering time	3 sec. Max.
Peak temperature	260°C Max.		(one time only)
Soldering time	10 sec. Max.(Max. two times)		

Notes:

Because different board designs use different number and types of devices, solder pastes, reflow ovens, and circuit boards, no single temperature profile works for all possible combinations.

However, you can successfully mount your packages to the PCB by following the proper guidelines and PCB-specific characterization.

LITE-ON Runs both component-level verification using in-house **KYRAMX98** reflow chambers and board-level assembly.

The results of this testing are verified through post-reflow reliability testing. Profiles used at LITE-ON are based on JEDEC standards to ensure that all packages can be successfully and reliably surface mounted.

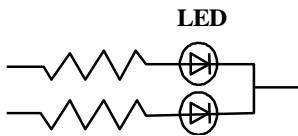
Figure on page3 shows a sample temperature profile compliant to JEDEC standards. You can use this example as a generic target to set up your reflow process. You should adhere to the JEDEC profile limits as well as specifications and recommendations from the solder paste manufacturer to avoid damaging the device and create a reliable solder joint.

**SMD LED
LTSA-G6SPVSKT**

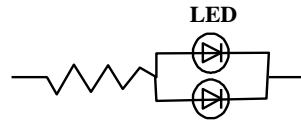
7.5 Drive Method

A LED is a current-operated device. In order to ensure intensity uniformity on multiple LEDs connected in parallel in an application, it is recommended that a current limiting resistor be incorporated in the drive circuit, in series with each LED as shown in Circuit A below.

Circuit model A



Circuit model B



(A) Recommended circuit.

(B) The brightness of each LED might appear different due to the differences in the I-V characteristics of those LEDs.

7.6 ESD (Electrostatic Discharge)

Static Electricity or power surge will damage the LED.

Suggestions to prevent ESD damage:

- Use of a conductive wrist band or anti-electrostatic glove when handling these LEDs.
- All devices, equipment, and machinery must be properly grounded.
- Work tables, storage racks, etc. should be properly grounded.
- Use ion blower to neutralize the static charge which might have built up on surface of the LED's plastic lens as a result of friction between LEDs during storage and handling.

ESD-damaged LEDs will exhibit abnormal characteristics such as high reverse leakage current, low forward voltage, or "no lightup" at low currents.

To verify for ESD damage, check for "lightup" and V_f of the suspect LEDs at low currents.

The V_f of "good" LEDs should be $>2.0V@0.1mA$ for InGaN product and $>1.4V@0.1mA$ for AlInGaP product.

SMD LED LTSA-G6SPVSKT

8. Reliability Test

8.1 Test Item/Condition:

No.	Test item	Test condition	Reference standard
1	Pre-conditioning	MSL 3 125°C, 24 hrs baking Moisture Soak 60°C/60% 52 hrs Interval: 15mins ~ 4 hours to do IR-Reflow	JESD22 A-113
2	High Temperature Forward Bias (HTFB)	Ta=70 ± 2°C IF: 200 mA 1000 hrs	EIAJ ED-4701/100 (101)
3	High Temperature Forward Bias (HTFB)	Ta=110 ± 2°C IF: 50mA 1000 hrs	EIAJ ED-4701/100 (101)
4	Low Temperature Operating Life	Ta=-40 ± 2°C IF=200mA 1000 hrs	EIAJ ED-4701/100 (101)
5	High Temperature Storage	Ta=110 ± 2°C 1000 hrs	EIAJ ED-4701/100 (201)
6	Low Temperature Storage	Ta=-40 ± 2°C 1000 hrs	EIAJ ED-4701/100 (202)
7	High Temperature High Humidity Bias (HTHHB)	Ta=60°C, Rh=90% IF=200mA 1000 hrs	EIAJ ED-4701/100 (102)
8	Thermal Shock (air to air)	-40°C ± 5°C ~ 100 ± 5°C 30min 30min 300cycles	EIAJ ED-4701/300 (307)
9	Temperature Cycle (TC)	-40°C~ 25°C ~100°C~ 25°C 30 min 5 min 30 min 5 min 300 cycles	EIAJ ED-4701/100 (105)
10	Resistance to Solder Heat	Tsld=260°C, 10sec. 3times	JESD22A-111
11	Solderability	Tsld = 245± 5°C, 5sec, Leas-free Solder	J-STD-002 JESD22B102

9. Others

The appearance and specifications of the product may be modified for improvement without prior notice.

10. Suggested Checking List

Training and Certification

1. Everyone working in a static-safe area is ESD-certified?
2. Training records kept and re-certification dates monitored?

Static-Safe Workstation & Work Areas

1. Static-safe workstation or work-areas have ESD signs?
2. All surfaces and objects at all static-safe workstation and within 1 ft measure less than 100V?
3. All ionizer activated, positioned towards the units?
4. Each work surface mats grounding is good?

Personnel Grounding

1. Every person (including visitors) handling ESD sensitive (ESDS) items wears wrist strap, heel strap or conductive shoes with conductive flooring?
2. If conductive footwear used, conductive flooring also present where operator stand or walk?
3. Garments, hairs or anything closer than 1 ft to ESD items measure less than 100V*?
4. Every wrist strap or heel strap/conductive shoes checked daily and result recorded for all DLs?
5. All wrist strap or heel strap checkers calibration up to date?

Note: *50V for InGaN LED.

Device Handling

1. Every ESDS items identified by EIA-471 labels on item or packaging?
2. All ESDS items completely inside properly closed static-shielding containers when not at static-safe workstation?
3. No static charge generators (e.g. plastics) inside shielding containers with ESDS items?
4. All flexible conductive and dissipative package materials inspected before reuse or recycles?

Others

1. Audit result reported to entity ESD control coordinator?
2. Corrective action from previous audits completed?
3. Are audit records complete and on file?